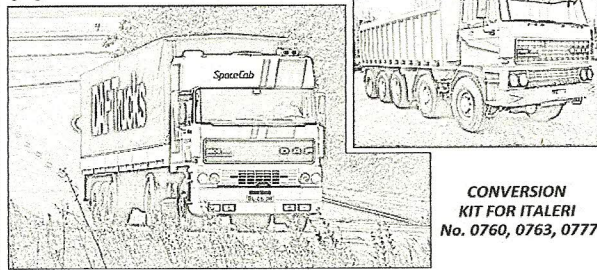


# CTM 017 DAF 2800 - 3600 / GINAF

CONVERSION KIT FOR ITALERI No. 0760, 0763, 0777

CTM PHOTOETCHED AND RESIN PARTS



CONVERSION  
KIT FOR ITALERI  
No. 0760, 0763, 0777

CTM 017 DAF 2800 - 3600 SERIES / GINAF

1/24



- DETACH WITH KNIFE



- DRILL HOLE



- BEND



- GRIND



- REPLACEMENT PART



- OPTIONAL



- REPEAT

*This set is not a children's toy and was designed for professional modellers only who already have some skills in working with photoetched parts. Special tools for bending of photoetched parts is recommended when working with this set. Non using this tool during bending may cause destruction of the part. Careful bending of the most of the parts could be also done using a metal ruler, a sharp knife and a tweezer on a hard surface. Pay attention, be careful and keep your safety and health in mind during work!*

*For gluing and filling a cyanoacrylate glue and a glue removing liquid is recommended. When (or even before) working with each part inspection of the real part on the vehicle or a picture of the real thing is recommended and helpful.*

*Modification of plastic parts may be required for proper use of some of the photoetched parts*

## CTM 24073 part 1

- 1/ Upper grille inner part
- 2/ Upper grille trim
- 3/ Lower grille outer part
- 4/ Central dashboard heating controls
- 5/ Intake filter support
- 6/ Cab staircase wall
- 7/ RHS relief strap above main headlights
- 7A/ LHS relief strap above main headlights
- 8/ Cab step (all RABA truck and DAF trucks since 1980)
- 9/ Invalid number
- 10/ Air intake filter support
- 11/ Seabelt lock
- 12/ Seabelt lock
- 13/ Bumper step
- 14/ Marker lights (one pair for roof and one pair above main headlights)
- 15/ Door hinges
- 16/ Expansion tank cap (upper grille)
- 17/ Mirror reflective surface
- 18 + 18A/ Additional mirror reflective surface
- 19/ Seabelts buckles
- 20/ Main lights clear parts frames
- 20A/ Light frames
- 21 + 21A/ Upper grille outer part + fitting box for expansion tank cap (part 16)

## CTM 24073 part 2

- 21/ Upper grill outer part
- 22/ Lower grille inner part
- 23/ Wipers
- 24/ Wipers arms
- 25/ Engine tunnel ash tray with cover
- 26/ Engine tunnel ash tray with cover
- 7B/ Relief between main headlights

## CTM 24073 part 3

- 27/ Dashboard upper part
- 28/ Lower upper part
- 29/ RHS cab side wall strip below rear window with marked position for parts 42,43,44
- 30/ LHS cab side wall strip below rear window with marked position for parts 42,43,44
- 31/ 2800 badge for upped grille (1980 - 1982)
- 32/ 3300 badge for upped grille (1980 - 1982)
- 33/ RHS cab side wall strip below rear window with marked position for parts 42, 43, 44 and part 48
- 34/ LHS cab side wall strip below rear window with marked position for parts 42, 43, 44 and part 48
- 35/ RHS door strip with marked position for parts 39, 46 and 47
- 36/ LHS door strip with marked position for parts 39, 46 and 47

### CTM 24073 part 3

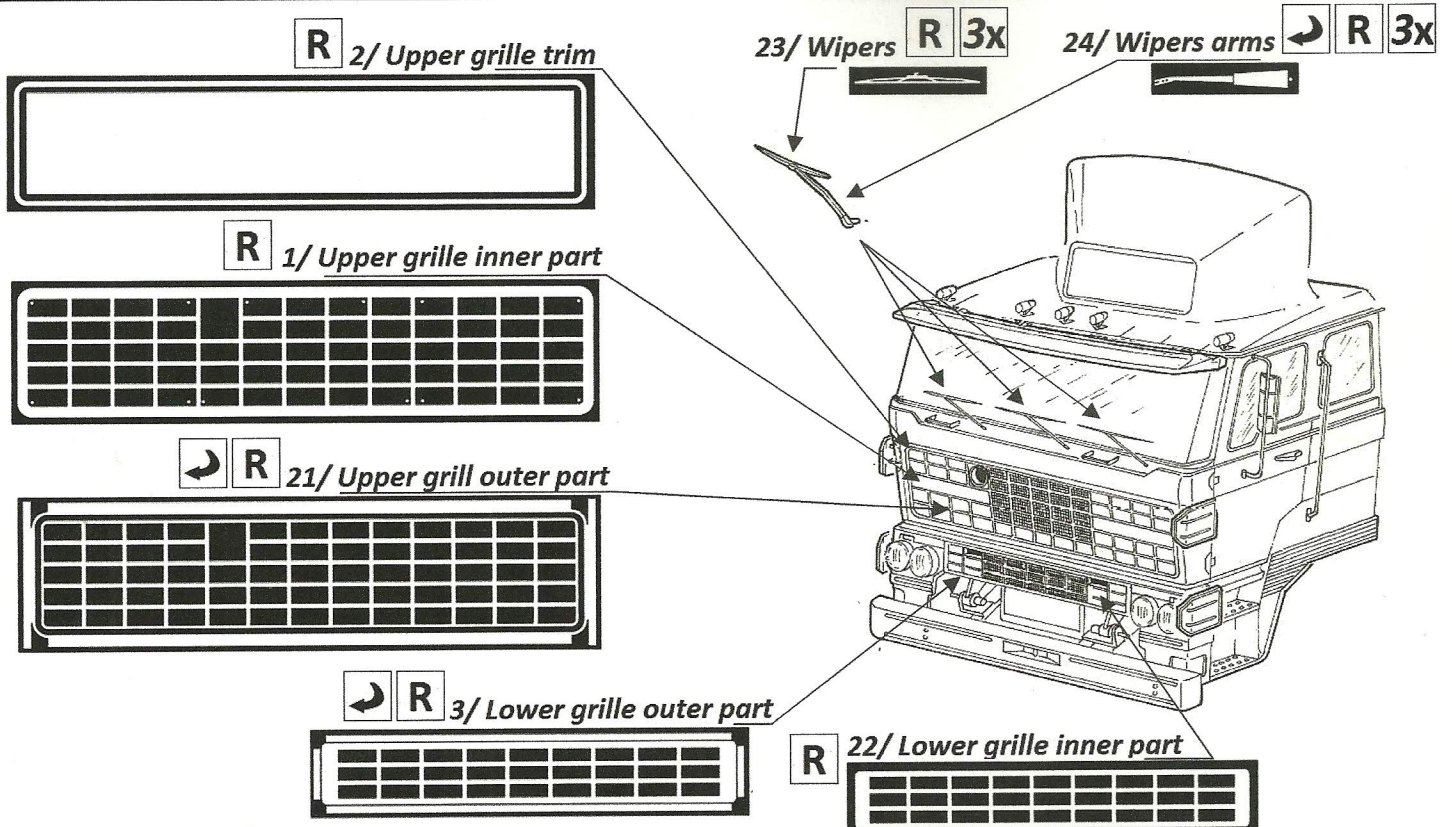
- 37/ RHS door strip with marked position for parts 39,46
- 38/ LHS door strip with marked position for parts 39,46
- 39/ Intercooling badge for upper grille and doors
- 40/ Seabelt lock upper part (part 12)
- 41/ Upper grille badge (ATI type since 1985) with marked position for parts 42,43,44 and 39,46 and 47
- 42/ 3300 badge for parts 29,30,33,34,41
- 43/ 3600 badge for parts 29,30,33,34,41

- 44/ 2800 badge for parts 29,30,33
- 45/ 2800 Turbo Intercooling badge for late 70' version
- 46/ Turbo badge for parts 35,36,37,38,41
- 47/ ATI badge for parts 35,36,41
- 48/ Space Cab badge for parts 33,34

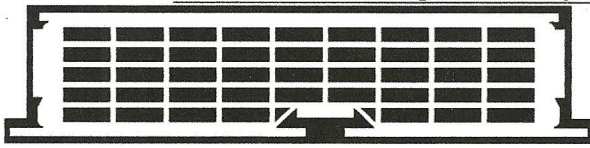
### CTM 24074 part 4

- 49/ Late version lower grille outer part
- 50/ DAF mudflaps
- 51/ Late version lower grille inner part
- 52/ Fuel tank cap
- 53/ Drive axle reduction hubs lower part
- 54/ GINAF upper grille badge
- 55/ D letter for upper grille (early 70's)
- 56/ A letter for upper grille (early 70's)
- 57/ D letter for upper grille (late 70's)
- 58/ A letter for upper grille (late 70's)
- 59/ D letter for upper grille (70's)
- 60/ Spare wheel winch catch
- 61/ Upper grille DAF badge, classic logo mudflaps
- 62/ Drive axle reduction hubs mid part
- 63/ Drive axle reduction hubs upper part
- 64/ D letter for front wheel hub
- 65/ A letter for front wheel hub

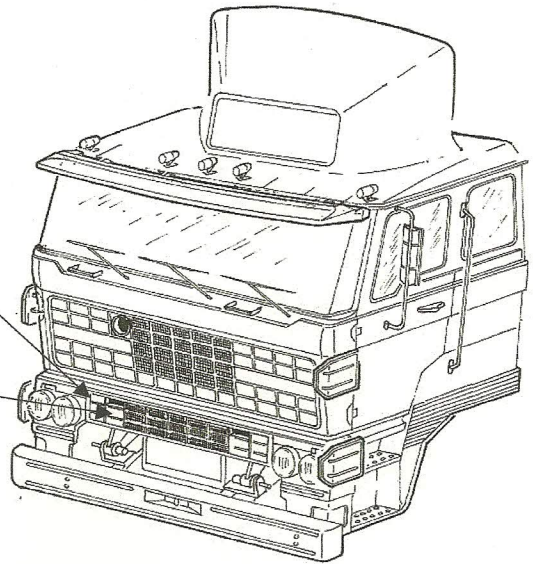
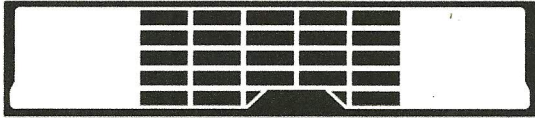
- 66/ F letter for front wheel hub
- 67/ Separate letter D for upper grille badge - optional part
- 68/ Separate letter A for upper grille badge - optional part
- 69/ Separate letter F for upper grille badge - optional part
- 70/ Separate D letter for upper grille (early 70's) - optional part
- 71/ Separate A letter for upper grille (early 70's) - optional part
- 72/ Cab steps (DAF trucks till 1980)
- 73 - 84/ GINAF upper grille and cab side badges
- 85/ Spare wheel carrier
- 86 - 90/ Separate GINAF letters for upper grille - optional part
- 94/ DAF classic logo



↻ R 49/ Late version lower grille outer part



R 51/ Late version lower grille inner part

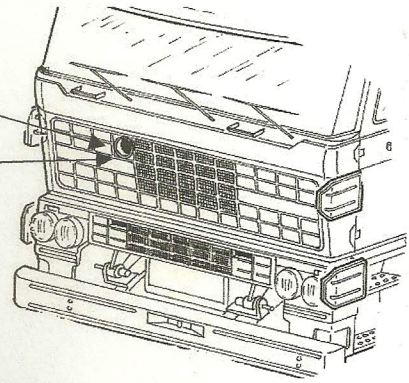


↓ 21A/ Fitting box for expansion tank cap (part 16)

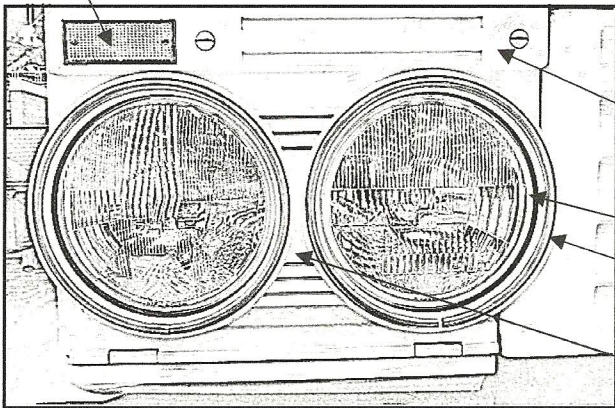
↻ R

👁 16/ Expansion tank cap (upper grille)

R



14/ Marker lights ■ R 2x



7 + 7A/RHS + LHS relief strap above main headlights R



20/ Main lights clear parts frames ●

4x R

20A/ Light frames ●

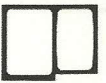
4x R

7B/ Relief between main headlights ▮

5/ Intake filter support 🏠

R ◁ ▮ ↻

18 + 18A/ Additional mirror reflective surface R



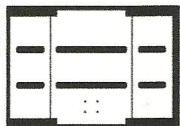
17/ Mirror reflective surface R



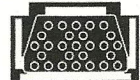
15/ Door hinges 4x ▮ R



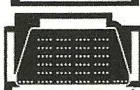
6/ Cab staircase wall R 2x ↻



8/ Cab step (DAF trucks since 1980) R ? 4x ↻

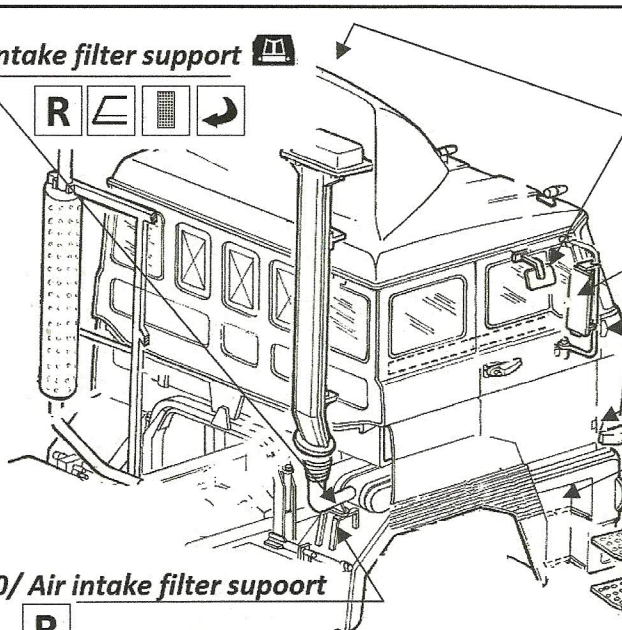


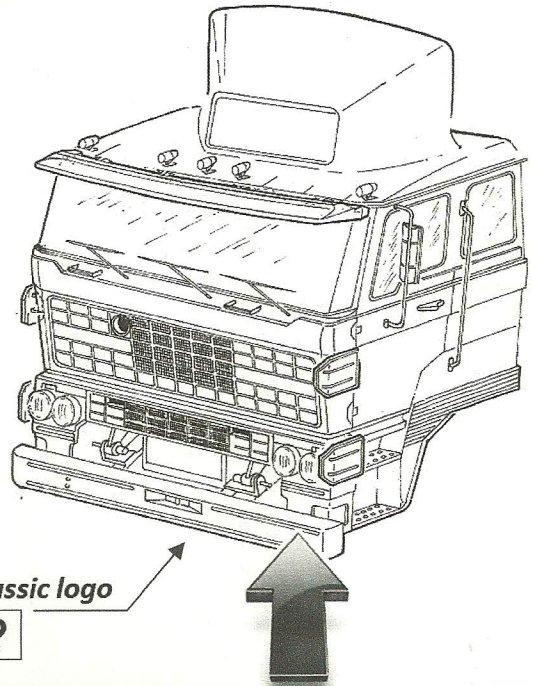
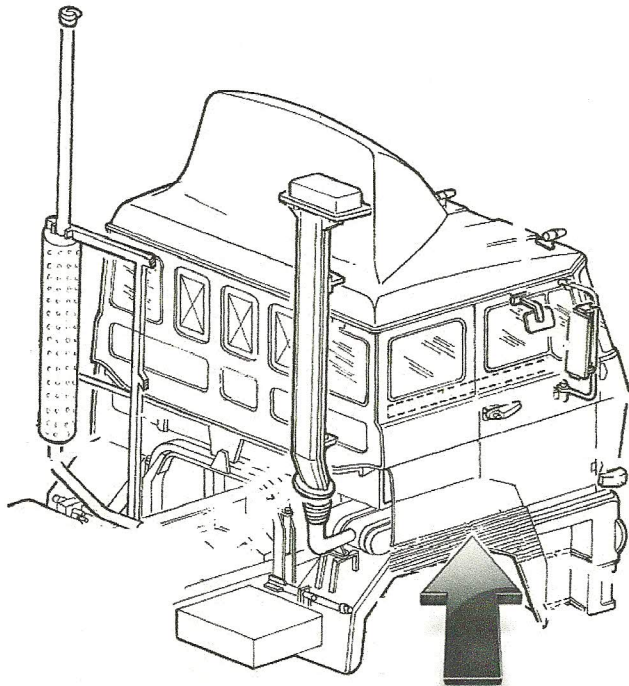
72/ Cab steps (DAF trucks till 1980) R ? 4x ↻



10/ Air intake filter support

R





94/ DAF classic logo



VERSION A  
MID 70's



USE THE OLD VERSION OF STEPS WITH THIS VERSION WITH SQUARE HOLES  
USE THE OLD BUMPER GRILLE WITH THIS VERSION

VERSION B  
LATE 70's



**2800**  
TURBO  
INTERCOOLING

USE THE OLD VERSION OF STEPS WITH THIS VERSION WITH SQUARE HOLES  
USE THE OLD BUMPER GRILLE WITH THIS VERSION

VERSION C  
1980-1982



**2800** TURBO  
INTERCOOLING

USE THE OLD BUMPER GRILLE WITH THIS VERSION  
USE THE NEW VERSION OF STEPS WITH THIS VERSION

VERSION C  
1982-1990



**2800** TURBO  
INTERCOOLING  
**3300** TURBO  
INTERCOOLING

NEW VERSION OF STEPS  
FOR ALL MODIFICATIONS

low roof cab

TURBO  
INTERCOOLING

**2800**  
**3300**

TURBO  
INTERCOOLING

**2800**  
**3300**

*Space Cab*

high roof cab since 1984 USE THE NEW BUMPER GRILLE WITH THIS VERSION

VERSION D  
1985-late 80's



**2800**  
**3300**  
**3600** *ATi*

NEW VERSION OF STEPS  
FOR ALL MODIFICATIONS

NEW VERSION OF  
BUMPER GRILLE FOR ALL  
MODIFICATIONS

low roof cab

TURBO  
INTERCOOLING



**2800**  
**3300**  
**3600**

TURBO  
INTERCOOLING



**2800**  
**3300**  
**3600**

*Space Cab*

high roof cab

VERSION E



**F380**  
**F490**  
**F530**  
**F520** *ATi*

NEW VERSION OF STEPS  
FOR ALL MODIFICATIONS  
NEW VERSION OF  
BUMPER GRILLE FOR ALL  
MODIFICATIONS

daycab

TURBO  
INTERCOOLING



**F380**  
**F490**  
**F530**  
**F520**

TURBO INTERCOOLING

