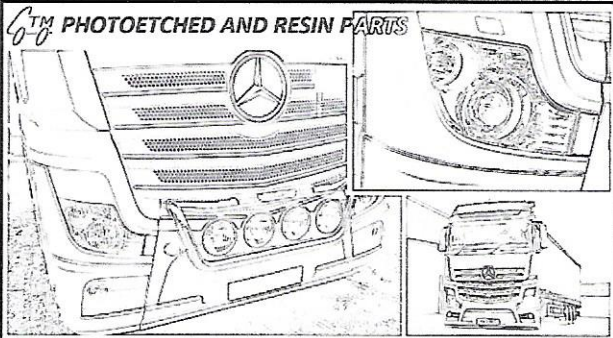




CTM 24165 MP4 - LIGHTS

CONVERSION KIT FROM ITALERI No. 3905



CTM 24165 MB MP4 - LIGHTS

1/24



- DETACH WITH KNIFE



- MAKE A HOLE



- BEND



- GRIND



- REPLACE



- OPTIONAL



- NUMBER OF WORKING STEPS

This set is not a children's toy and was designed for professional modellers only who already have some skills in working with photoetched parts. Special tools for bending of photoetched parts is recommended when working with this set. Non using this tool during bending may cause destruction of the part. Careful bending of the most of the parts could be also done using a metal ruler, a sharp knife and a tweezers on a hard surface. Pay attention, be careful and keep your safety and health in mind during work!

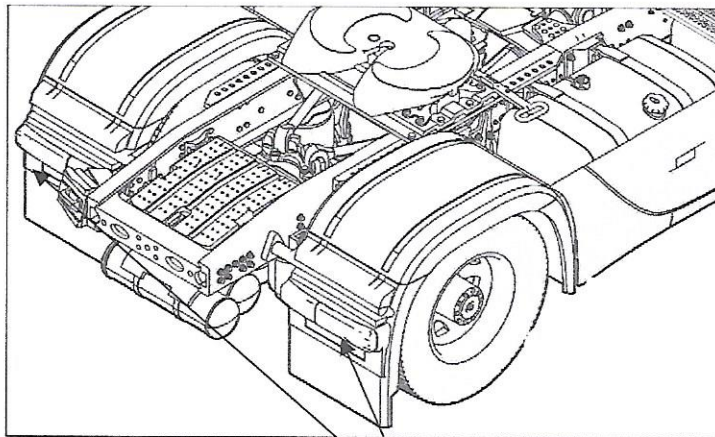
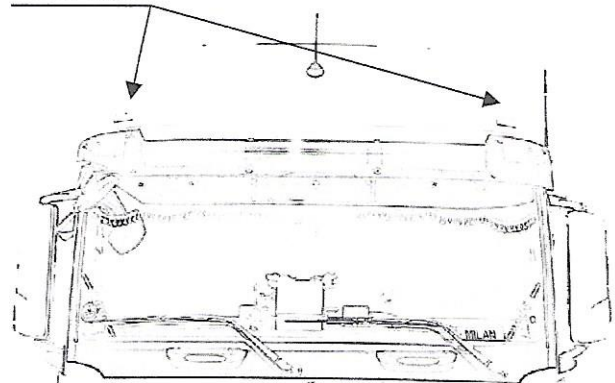
For gluing and filling a cyanoacrylate glue and a glue removing liquid is recommended. When (or even before) working with each part inspection of the real part on the vehicle or a picture of the real thing is recommended and helpful.

Modification of plastic parts may be required for proper use of some of the photoetched parts

CTM 24165 MP4 - lights

- 1/ Main light lens
- 2/ Parking light lens
- 3/ Fog light lens
- 4,5/ Cab roof marker lights
- 6/ Day time lights
- 7/ Rear light inner panel

4,5/ Cab roof marker lights



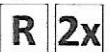
7/ Rear light inner panel



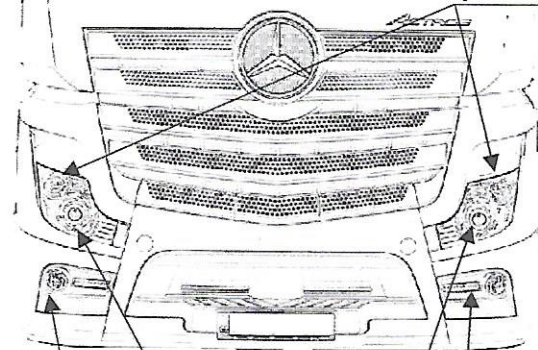
2x

For tail lights photo etched parts should be inserted from inside of the kit clear parts. Paint the light surroundings red.

2/ Parking light lens



2x

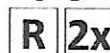


1/ Main light lens



2x

3/ Fog light lens



2x

6/ Day time lights



2x