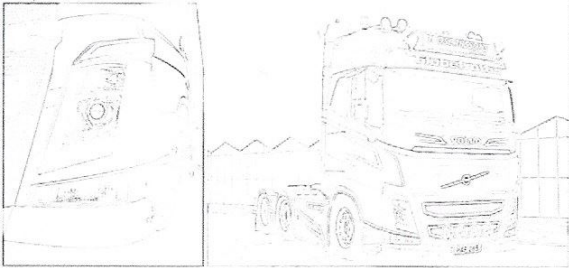




CTM 24193 VOLVO FH4 LIGHTS

CTM PHOTOETCHED AND RESIN PARTS



CTM 24193 VOLVO FH4 LIGHTS



- DETACH WITH KNIFE



- MAKE A HOLE



- BEND



- GRIND



- REPLACE



- OPTIONAL



- NUMBER OF WORKING STEPS

This set is not a children's toy and was designed for professional modellers only who already have some skills in working with photoetched parts. Special tools for bending of photoetched parts is recommended when working with this set. Non using this tool during bending may cause destruction of the part. Careful bending of the most of the parts could be also done using a metal ruler, a sharp knife and a tweezers on a hard surface. Pay attention, be careful and keep your safety and health in mind during work!

For gluing and filling a cyanoacrylate glue and a glue removing liquid is recommended. When (or even before) working with each part inspection of the real part on the vehicle or a picture of the real thing is recommended and helpful.

Modification of plastic parts may be required for proper use of some of the photoetched parts

CTM 24193 Volvo FH 4 lights

- 1/ Tail lights
- 2,3/ Head lamp bottom parts
- 4,5/ Roof marker lights
- 6,7/ Fog lights
- 8/ Rear facing head lamp marker lights
- 9/ Side marker lights
- 10/ Main head lense
- 11,12/ Fog lights

8/ Rear facing head lamp marker lights

2x R

9/ Side marker lights

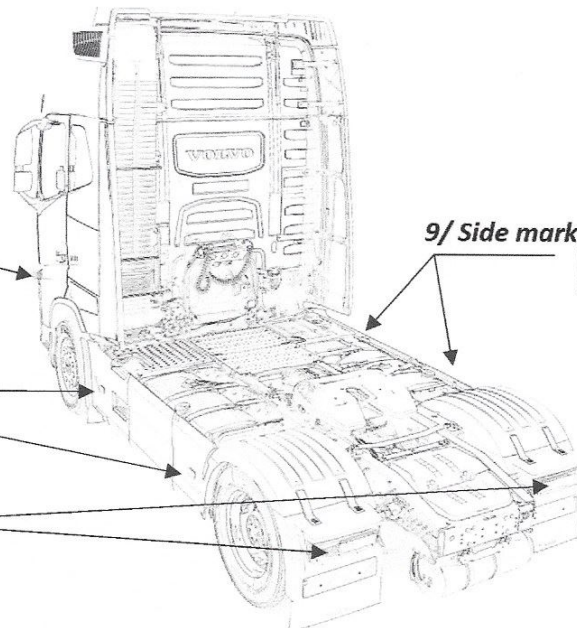
2x R

9/ Side marker lights

2x R

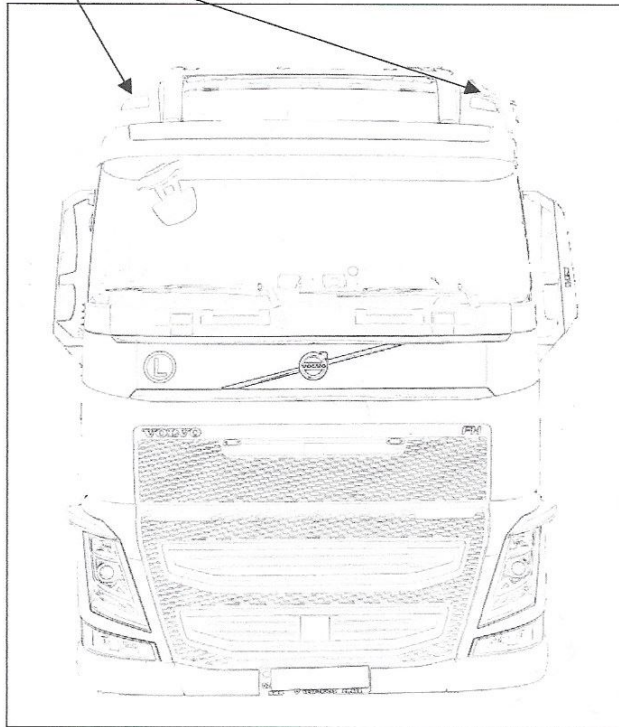
1/ Tail lights

2x R



4,5/ Roof marker lights

R 2x

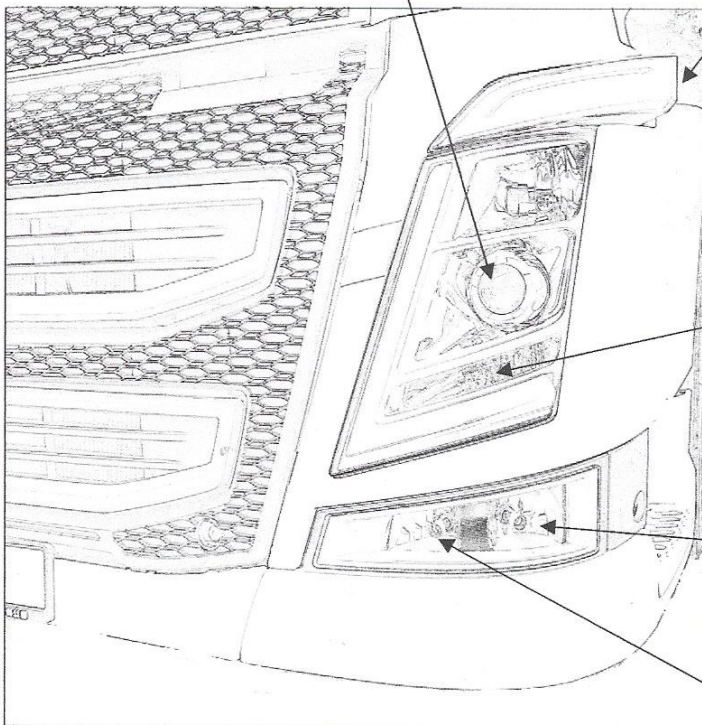


10/ Main head lensen

R 2x

8/ Rear facing head lamp marker lights

2x R



2,3/ Head lamp bottom parts

R

6,7/ Fog lights

R

11,12/ Fog lights

R