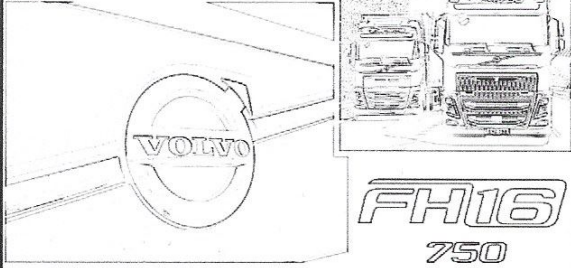




CTM 24197 VOLVO FH 4 BADGES

CTM PHOTOETCHED AND RESIN PARTS



CTM 24197 VOLVO FH4 BADGES



- DETACH WITH KNIFE



- MAKE A HOLE



- BEND



- GRIND



- REPLACE



- OPTIONAL



- NUMBER OF WORKING STEPS

This set is not a children's toy and was designed for professional modellers only who already have some skills in working with photoetched parts. Special tools for bending of photoetched parts is recommended when working with this set. Non using this tool during bending may cause destruction of the part. Careful bending of the most of the parts could be also done using a metal ruler, a sharp knife and a tweezer on a hard surface. Pay attention, be careful and keep your safety and health in mind during work!

For gluing and filling a cyanoacrylate glue and a glue removing liquid is recommended. When (or even before) working with each part inspection of the real part on the vehicle or a picture of the real thing is recommended and helpful.

Modification of plastic parts may be required for proper use of some of the photoetched parts

CTM 24197 VOLVO FH 4 Badges

- 1/ Grille upper trim
- 2/ Grille lower trim
- 3/ Upper grille panel letters
- 4/ Grille logo
- 5/ FH16 grille badge
- 6/ FH grille letters
- 7. - 12/ Number forpower rating: 420, 460, 500, 540, 550, 650, 750

1/ Grille upper trim

R

2/ Grille lower trim

R

4/ Grille logo

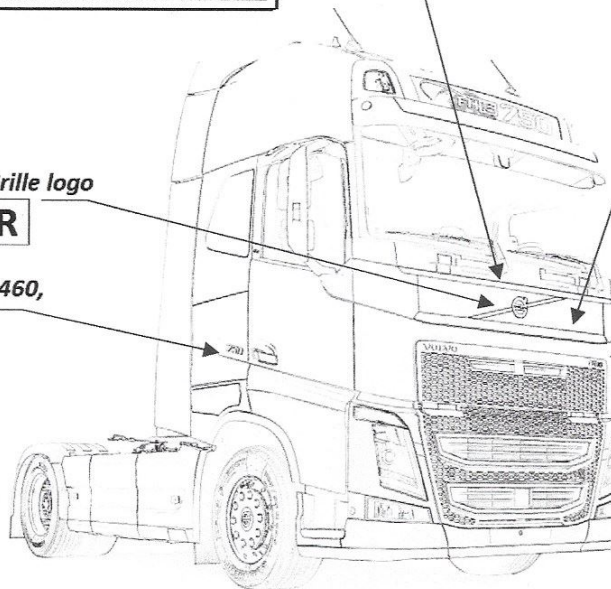
R

7. - 12/ Number forpower rating: 420, 460, 500, 540, 550, 650, 750

R ? 2x

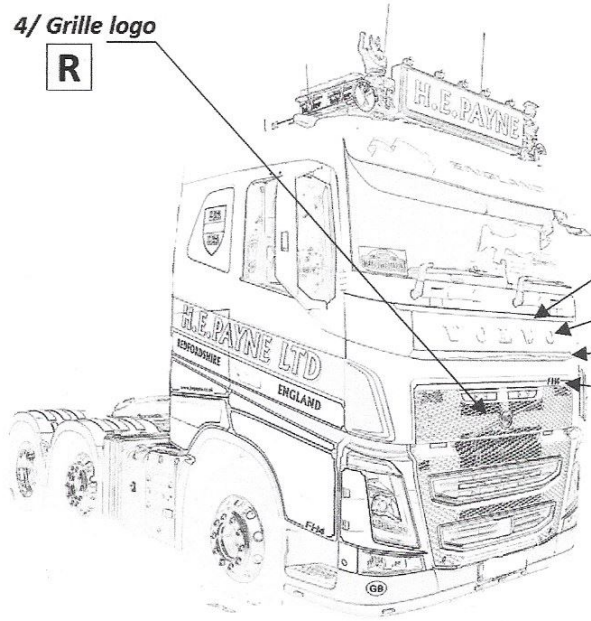
5/ FH16 grille badge

R



4/ Grille logo

R



1/ Grille upper trim

R

3/ Upper grille panel letters

R ?

2/ Grille lower trim

R

6/ FH grille letters

R