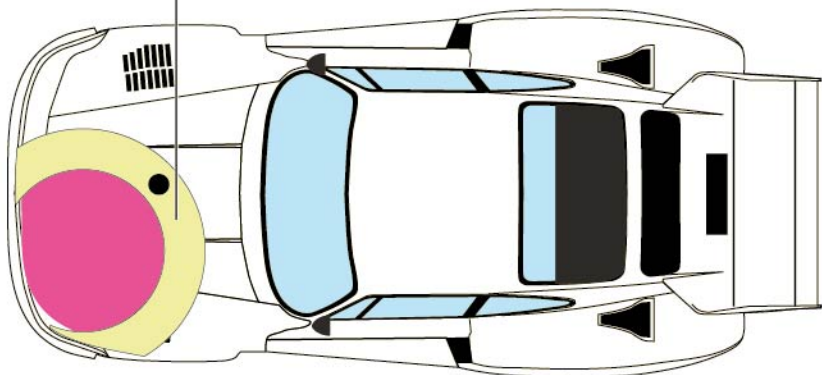
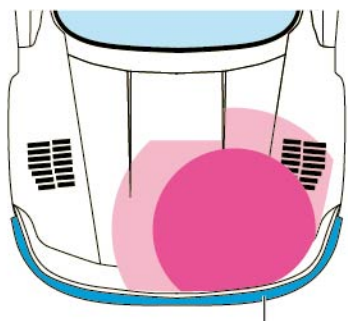
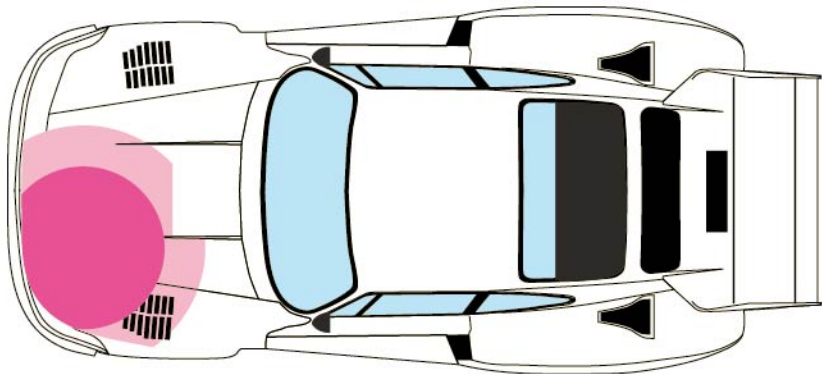


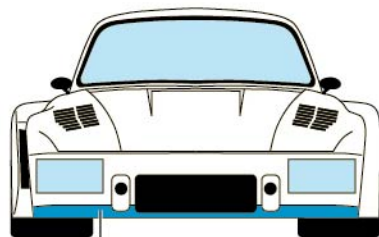
Apply masking sticker 5 and paint with pink



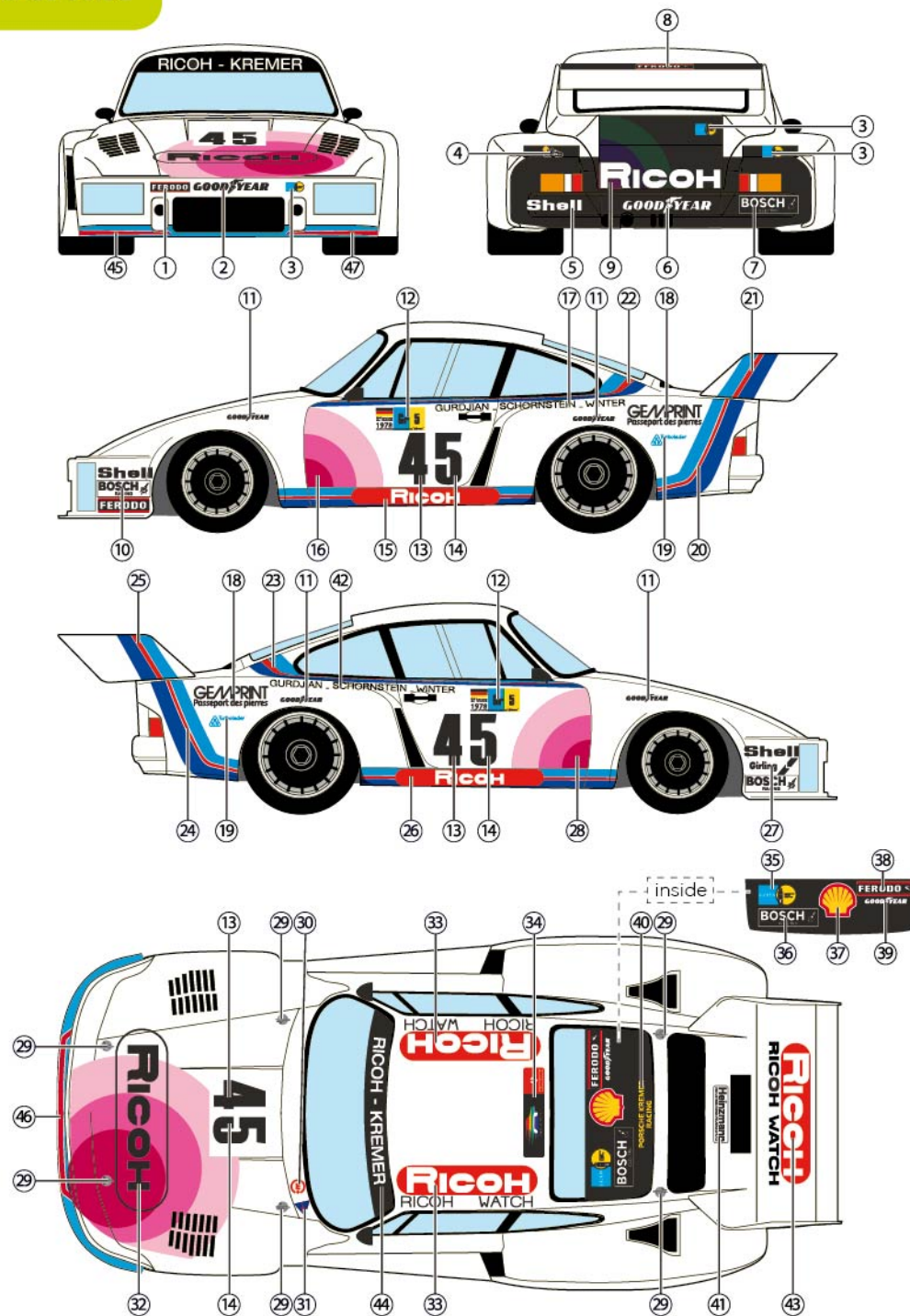
Allow to dry and remove the mask



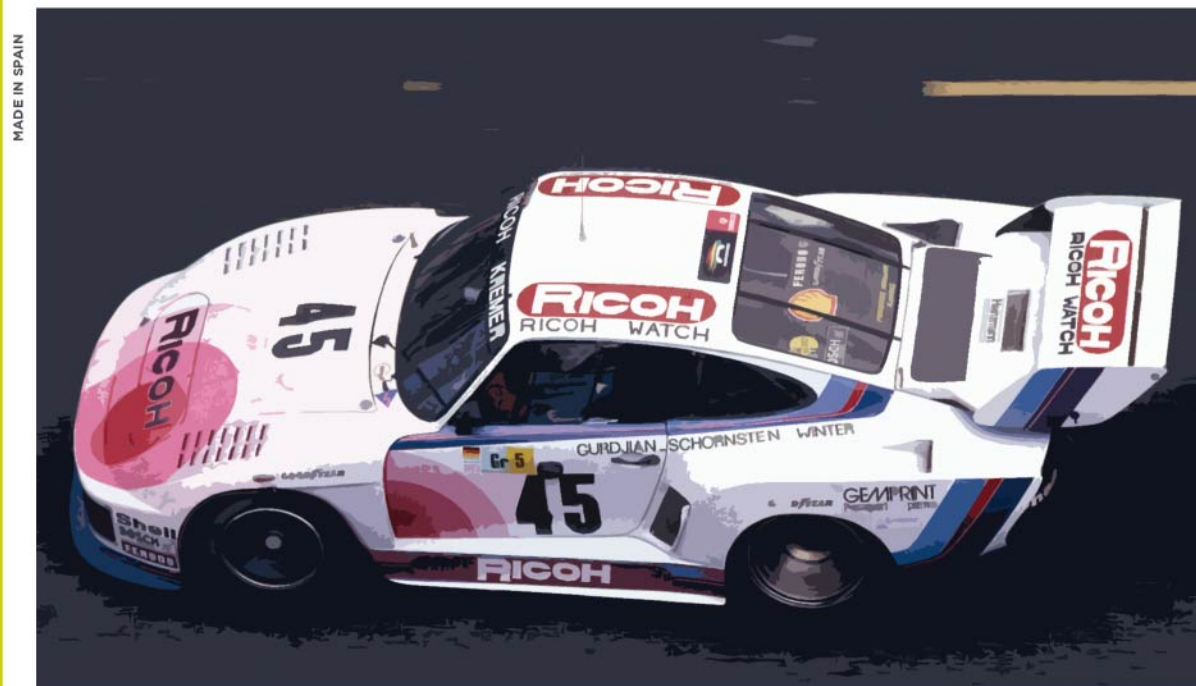
Paint blue the front spoiler



DECALS GUIDE



DCL-DEC022



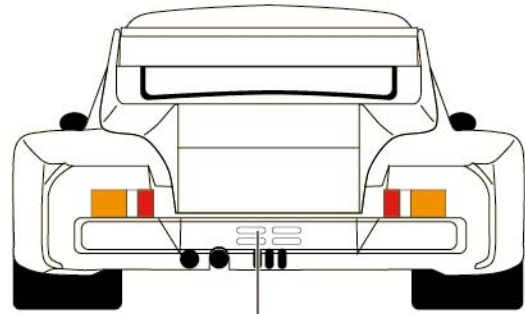
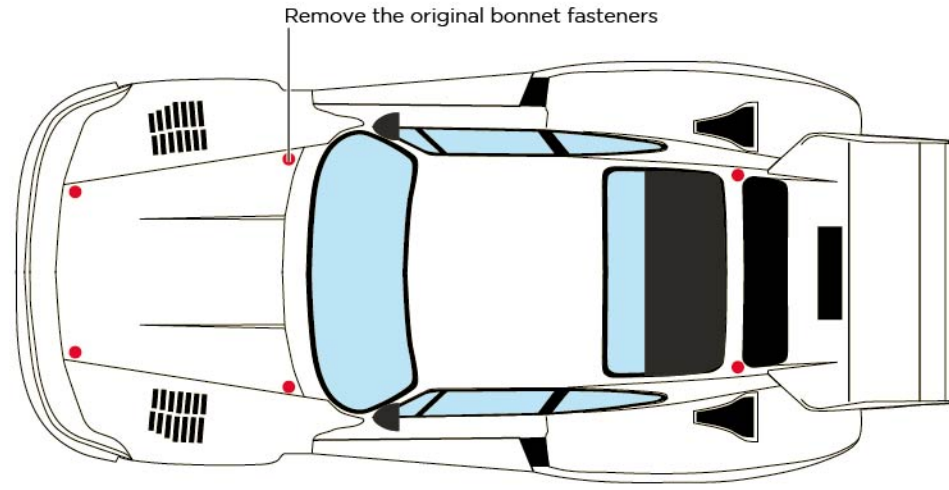
MADE IN SPAIN

MARKING

Porsche Kremer 935 K2 Team Ricoh Kremer

24Hr Le Mans 1978
#45 - JOHN WINTER + DIETER SCHORNSTEIN + PHILIPPE GURDJIAN

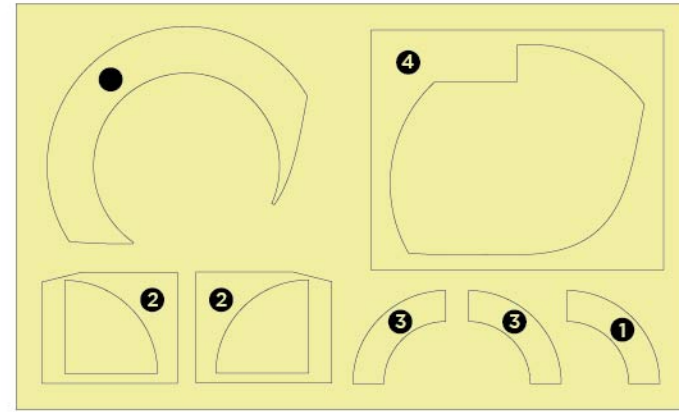
BEFORE PAINTING:



COLORS:

- White (Zero Paint ZP-1026)
- Light Pink (Tamiya Pink X-17)
- Pink (60% Tamiya Pink X-17 + 40% Tamiya Red X-7)
- Blue (Tamiya Sky Blue X-14)
- Black (Tamiya Semi Gloss Black X-18)

MASKING SHEET:



Mask 1

Paint with light pink and allow to dry

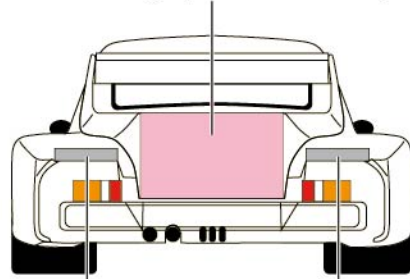
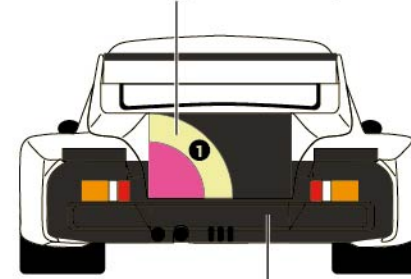


Photo-etched piece included in Porsche 935 K2
Detail up set by **Beemax** (E24015)

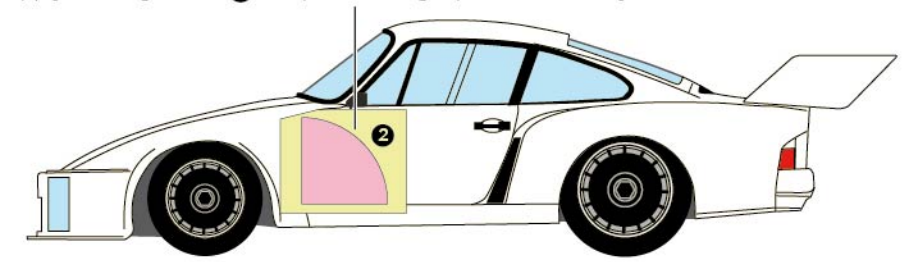
Apply masking sticker 1 and paint with semi gloss black and pink



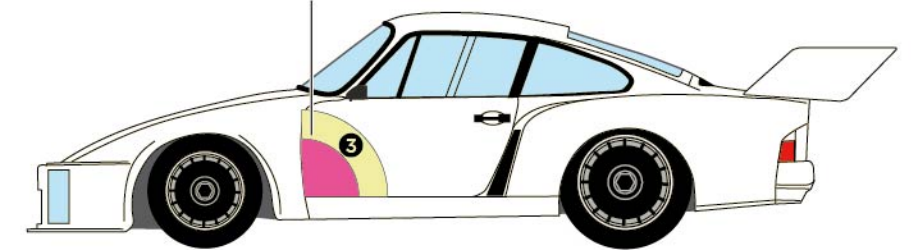
Allow to dry and remove the mask

Masks 2 and 3

Apply masking sticker 2 and paint with light pink. Allow to dry and remove the mask



Apply masking sticker 3 and paint with pink



Allow to dry and remove the mask



Masks 4 and 5

Apply masking sticker 4 and paint with light pink. Allow to dry and remove the mask

