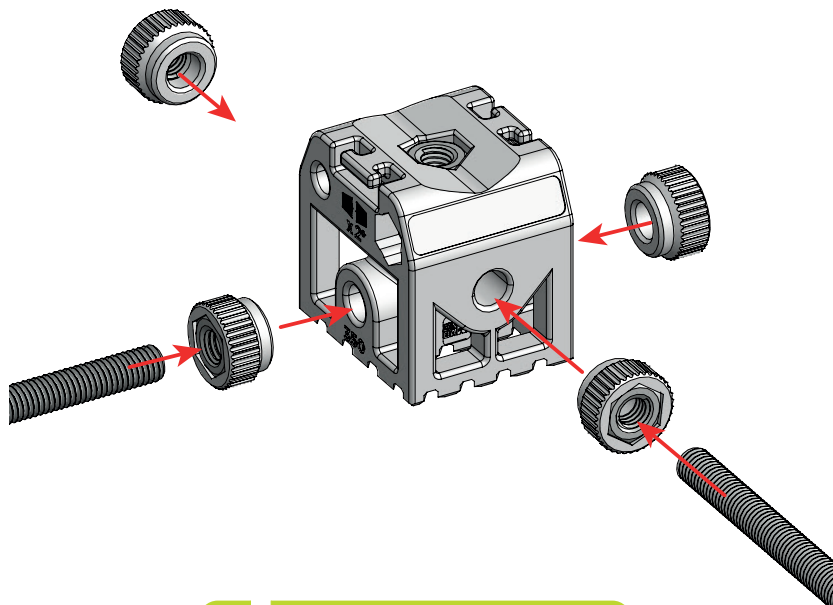


DCL-JIG001

Instructions

Insert the threaded rods into the cubes
and secure them using the nuts supplied.

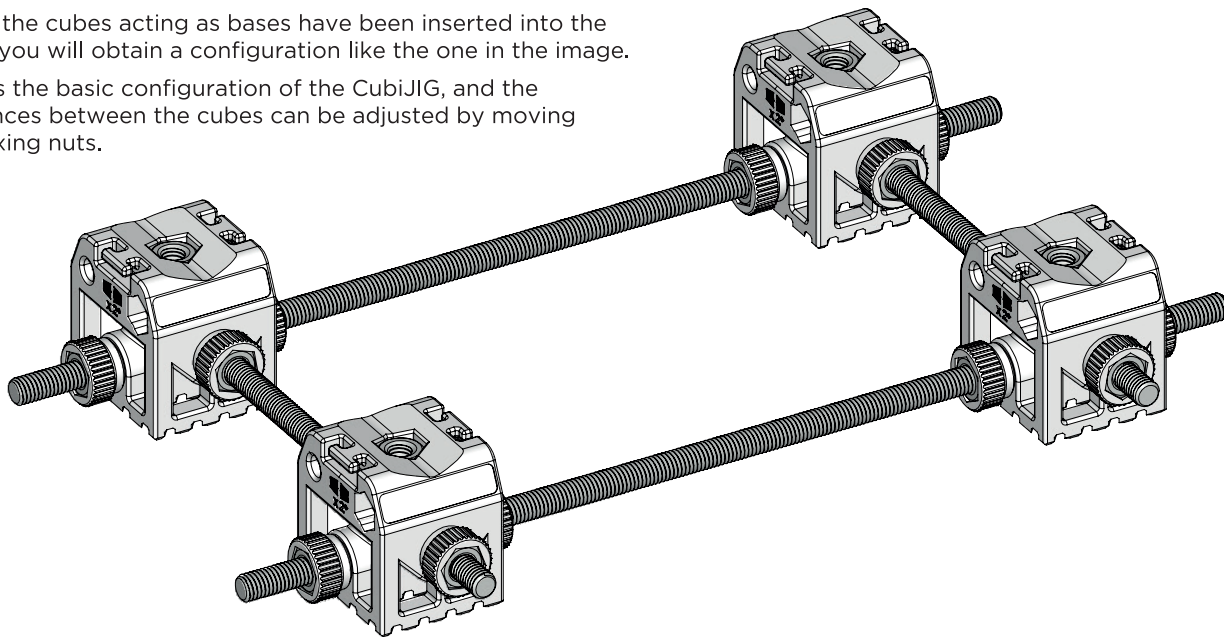


DCL-JIG001

Instructions

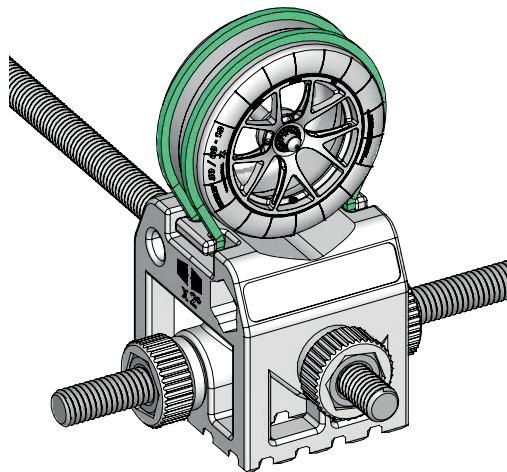
Once the cubes acting as bases have been inserted into the rods, you will obtain a configuration like the one in the image.

This is the basic configuration of the CubiJIG, and the distances between the cubes can be adjusted by moving the fixing nuts.



DCL-JIG001 Instructions

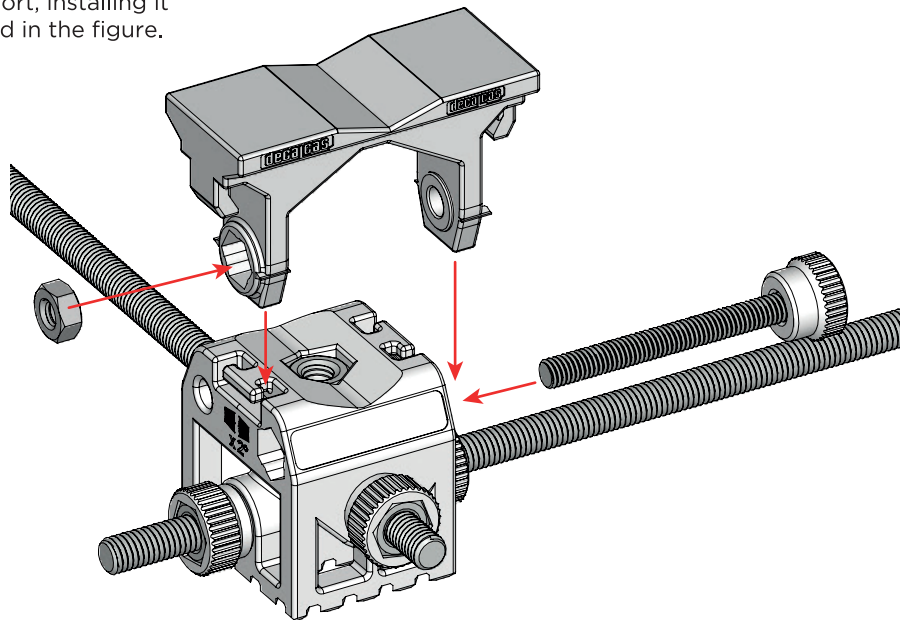
In this basic configuration you can secure your model using the rubber bands around the wheels as shown in the figure.



NOTE: The rubber bands are consumables not covered by warranty.

DCL-JIG001 Instructions

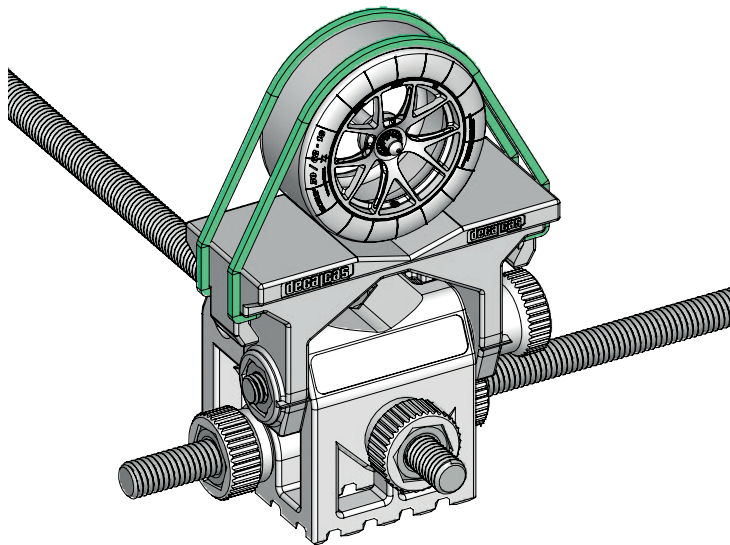
If you need to adjust the camber of the wheels, use the supplied oscillating support, installing it on the CubiJIG bases as indicated in the figure.



DCL-JIG001

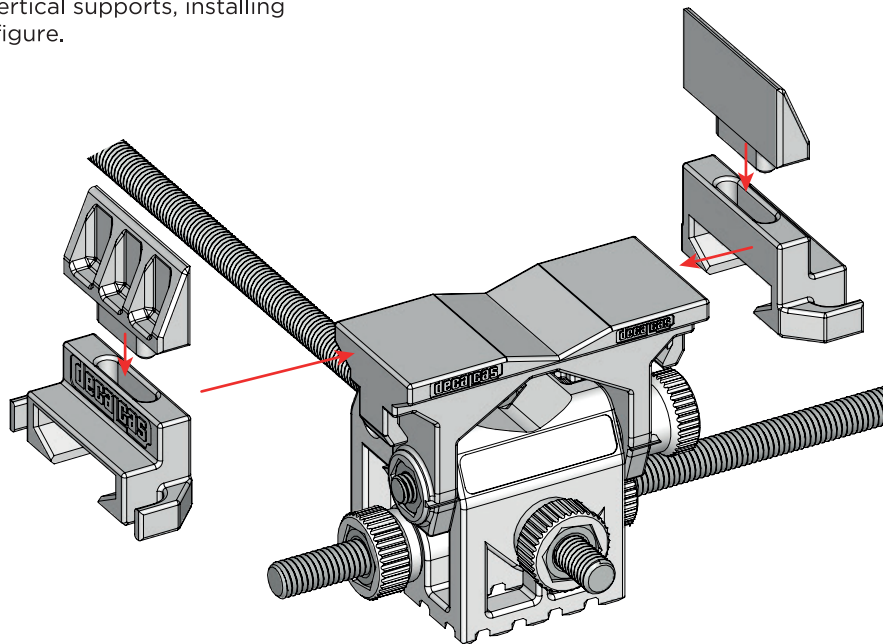
Instructions

Once the wheel camber angle has been adjusted, you can attach your model to the oscillating bases using the rubber bands.



DCL-JIG001 Instructions

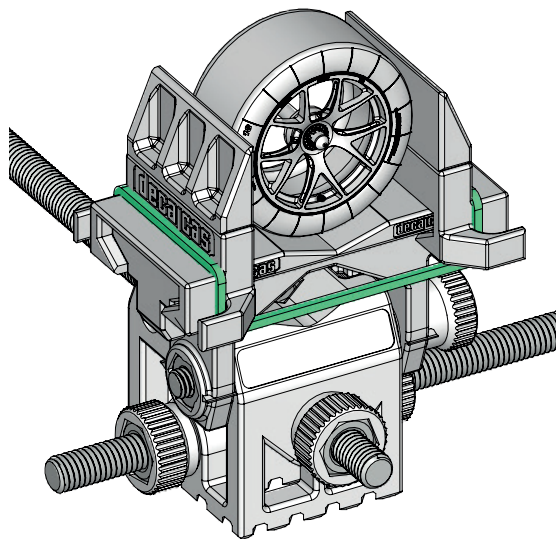
To attach the model to the oscillating support you can also use the vertical supports, installing them as shown in the figure.



DCL-JIG001

Instructions

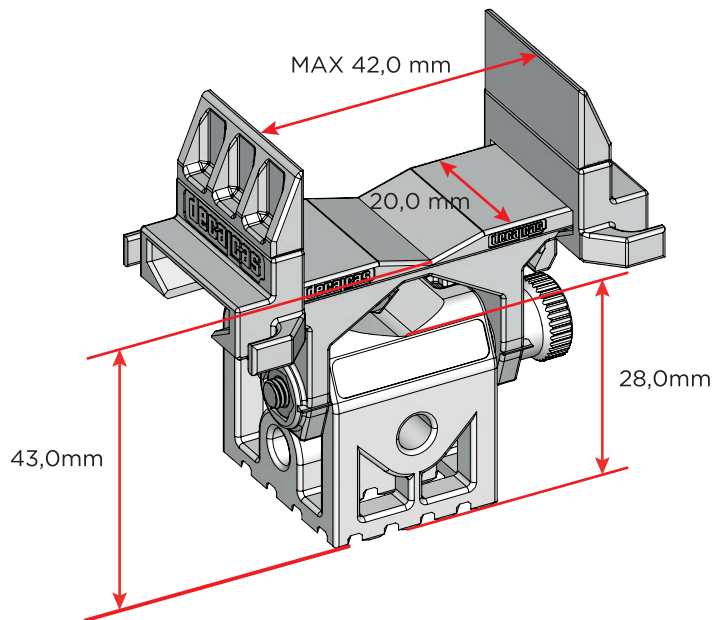
Once the vertical supports have been installed, secure the wheel between them using the rubber band supplied as shown in the figure



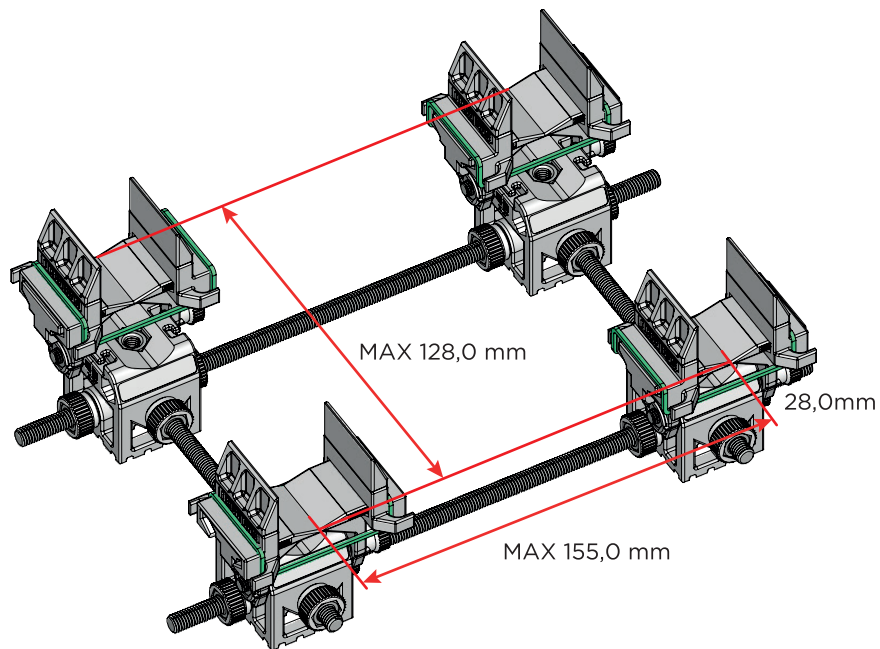
In these instructions we show three different configurations with which to align your model. The CubiJIG modular design allows for numerous configurations to suit the specific needs of each model. Complete your CubiJIG with the range of accessories available.

DCL-JIG001

Dimensions



DCL-JIG001 Dimensions



NOTE: The threaded rods supplied fit the length and width of most models on the market. If you need a greater length or width, you can replace the rods supplied with an M5 threaded rod of the length you need.