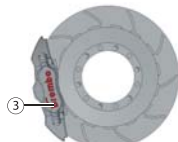


BRAKES AND WHEELS

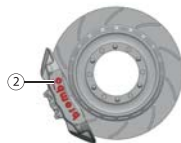
Brake decals:



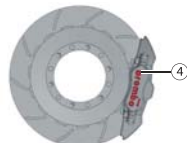
Front left



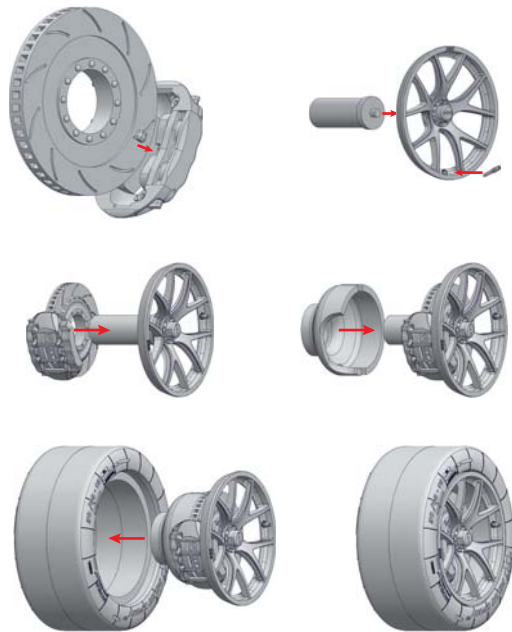
Rear left



Front right



Rear right

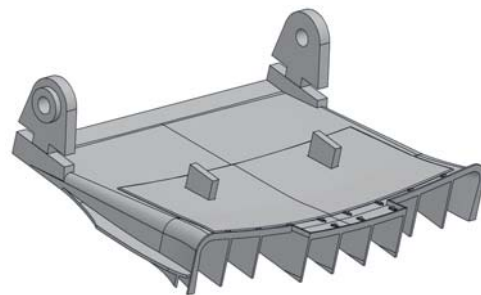


decalcas

DCL-PAR003

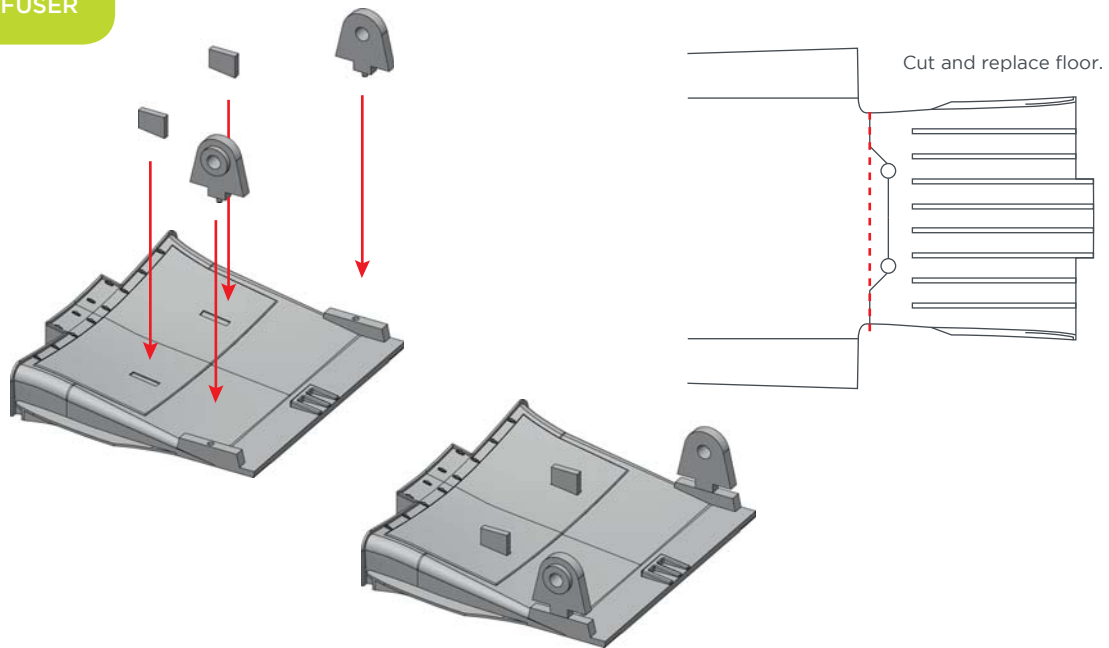
1/24 detail-up set

For Ford GT by Revell



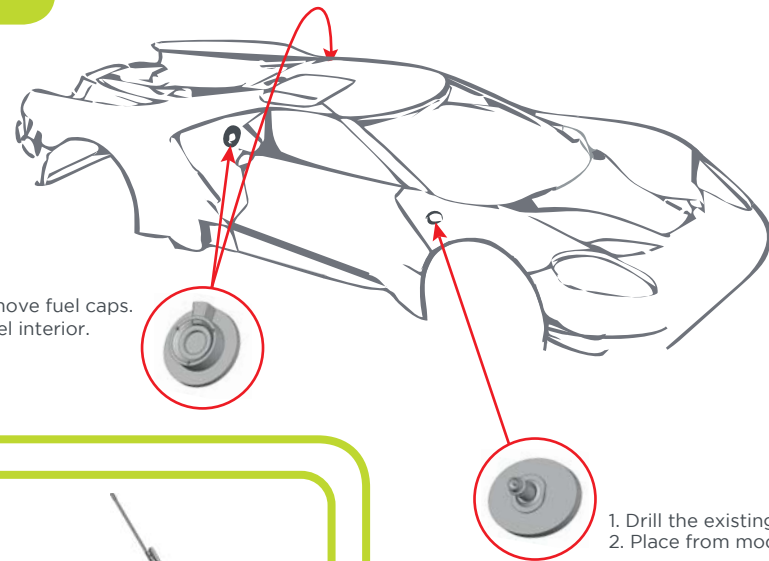
PARTS

DIFFUSER



FUEL CAPS AND AIR PLUG

1. Drill 5mm. to remove fuel caps.
2. Place from model interior.



WIPER

