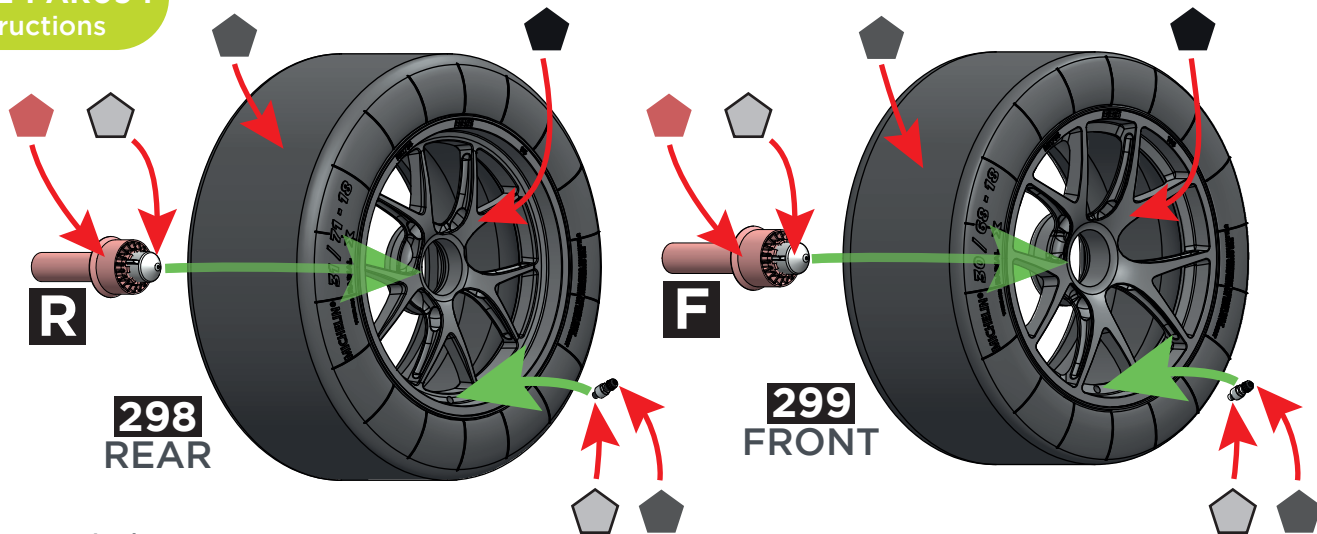






DCL-PAR094

Instructions



Paints required:

-  BLACK
(N5-X011 by Number Five)
-  TYRE BLACK
(N5-X070 by Number Five)
-  HURACAN PERFORMANTE BRONZE
(N5-C124 by Number Five)
-  WHITE ALUMINIUM RAL9006
(N5-X019 by Number Five)



3D resin is fragile, so you should NOT use excessive force when removing the supports or joining the pieces or you risk breaking the parts.

Carry out a test assembly before painting the parts, sanding where necessary and preferably the plastic parts of the kit, until the parts fit together with light pressure without being forced.

deca|cas