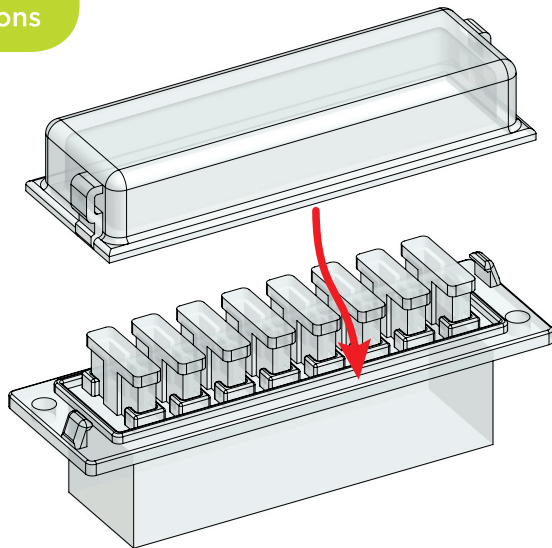


DCL-PAR117

Assembly instructions



For a more transparent finish on the cover, paint it with glossy varnish.

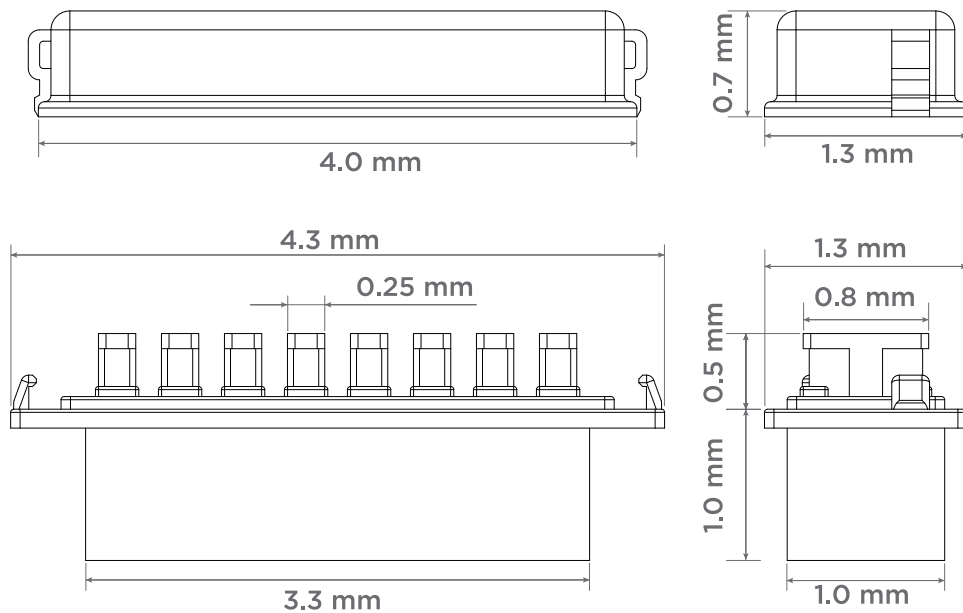
NOTE:



3D resin is fragile, so you should NOT use excessive force when joining the pieces or you risk breaking the parts.

Carry out a test assembly before painting the parts, sanding where necessary and preferably the plastic parts of the kit, until the parts fit together with light pressure without being forced.

DCL-PAR117
Parts size



deca|cas