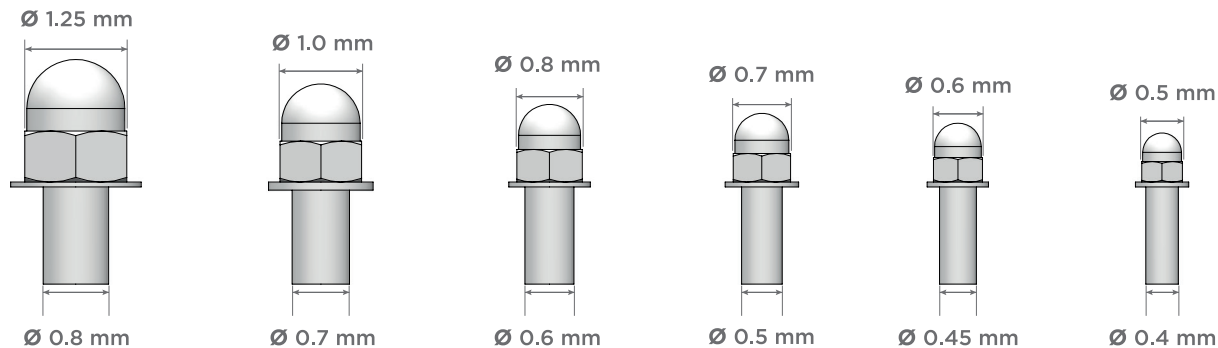


## DCL-PAR130 Instructions



Paints required:

 **STEEL**  
(N5-C054 by Number Five)

**NOTE:**



This parts faithfully reproduce the head but lack the threads, they are not real screws.