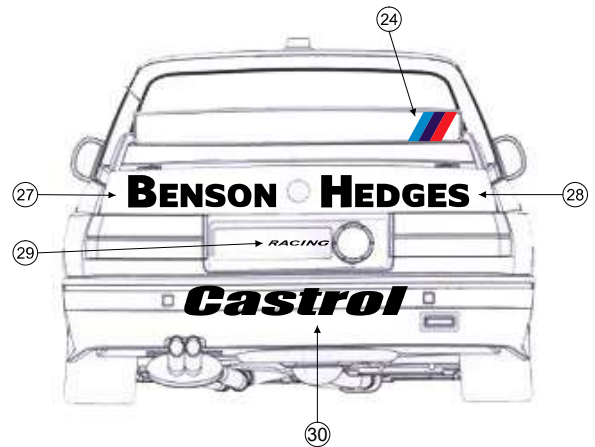
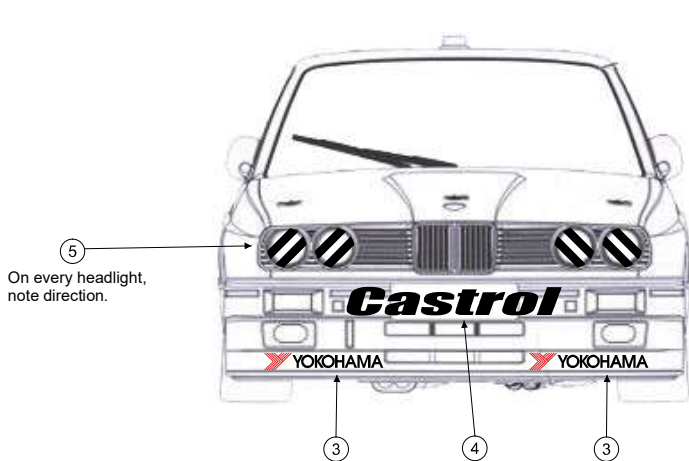
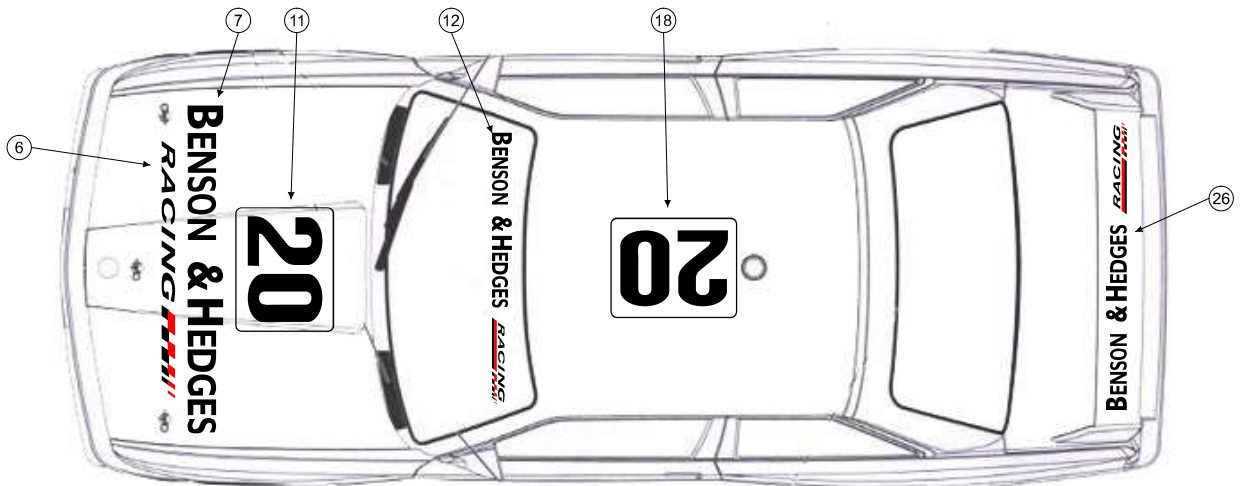
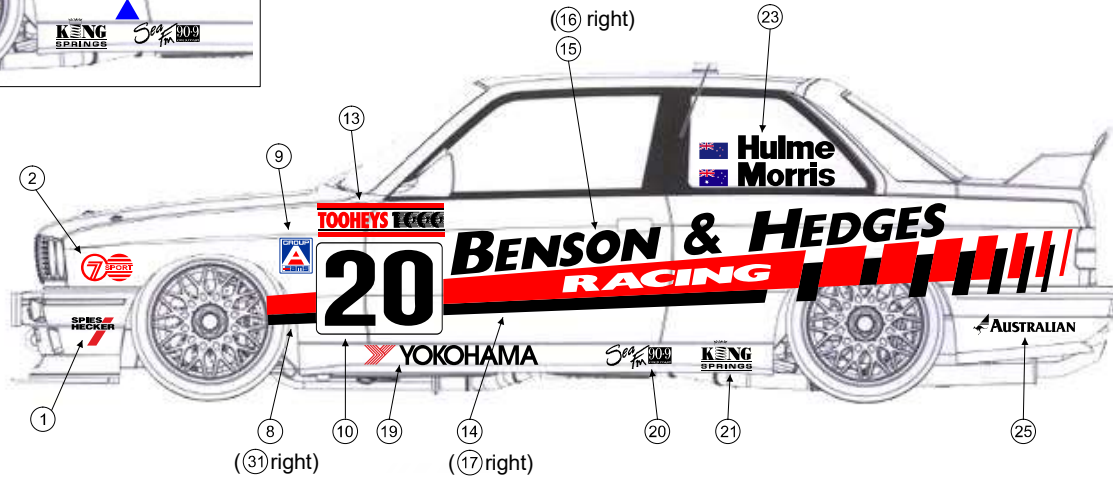
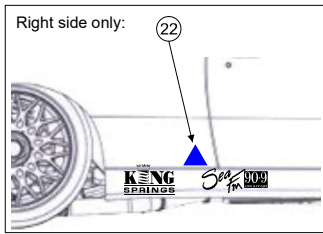


# BMW M3 - 1992 Tooheys 1000 - Denny Hulme/Paul Morris

for 1/24 Beemax/Nunu BMW M3 E30

Painting instructions on page 2!



Use BMW logo's from kit sheet for bonnet/hood and boot/trunk.

Note: decal 31 is incorrectly labeled 8 on the sheet!

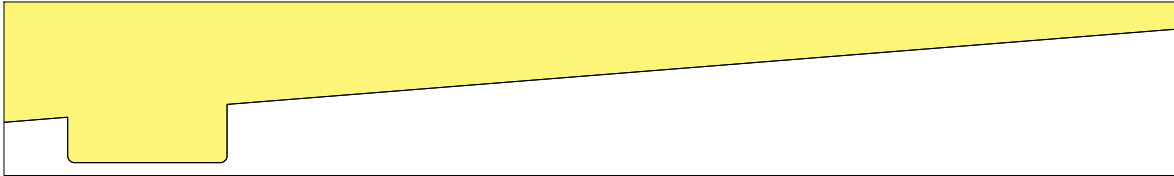
## Painting

Interior: Camel Yellow

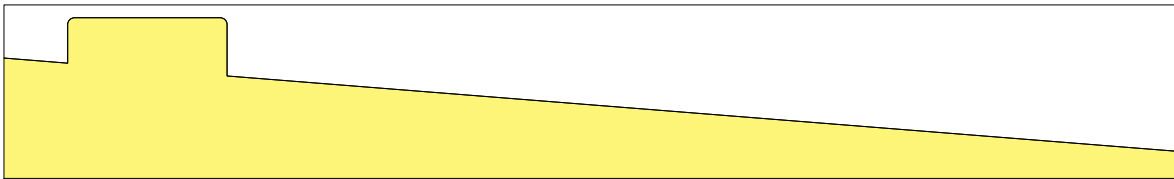
Body: lower part white, top part Camel Yellow. Use templates below. Decals 8, 10, 14, 17 and 31 should fit exactly on edges. See images at bottom for placement.

Front window: paint sunband on top part of window with Camel Yellow.

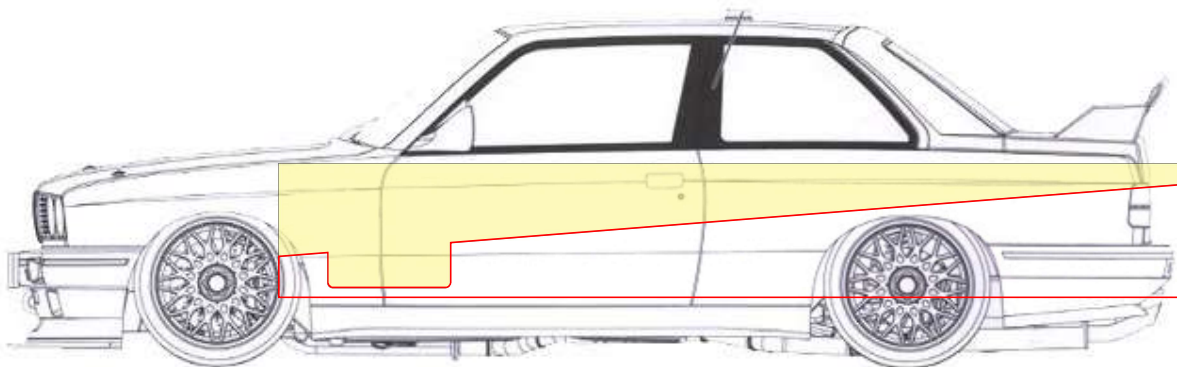
Left hand side template:



Right hand side template:



← 50 mm →



(Picture of car above does not match model.)

