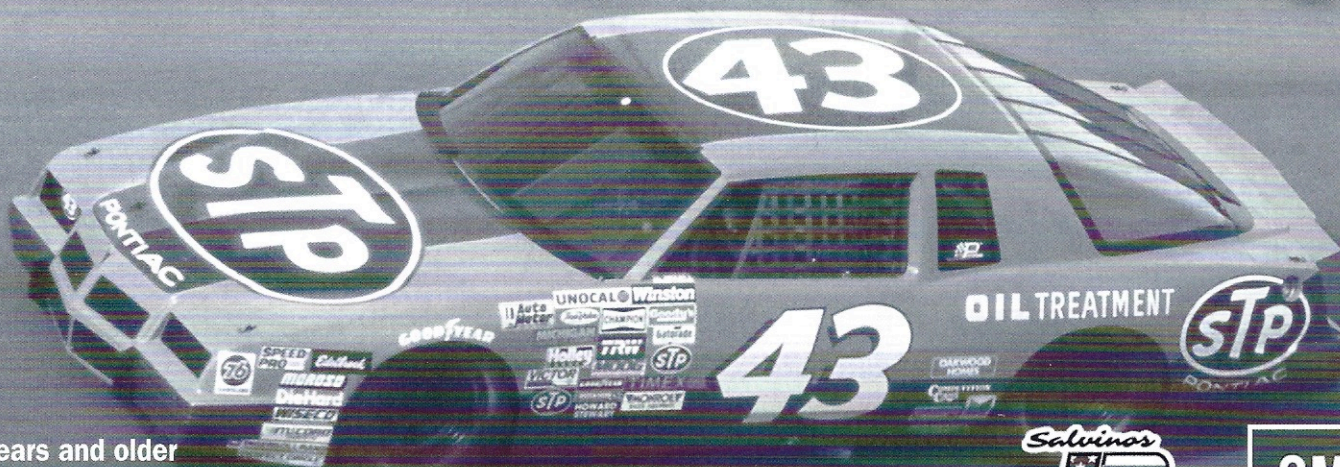


# Richard Petty

## 1986 Pontiac® Grand Prix 2+2 Aerocoupe



18 years and older

1/24<sup>TH</sup> scale

made in the U.S.A.

salvinosjrmodels.com

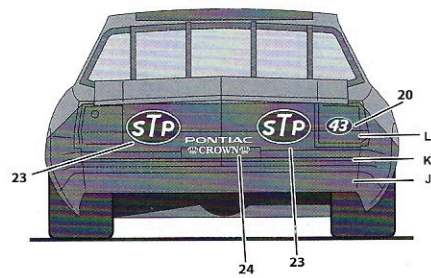
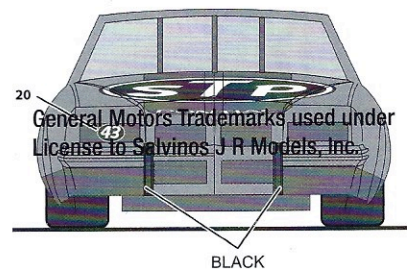
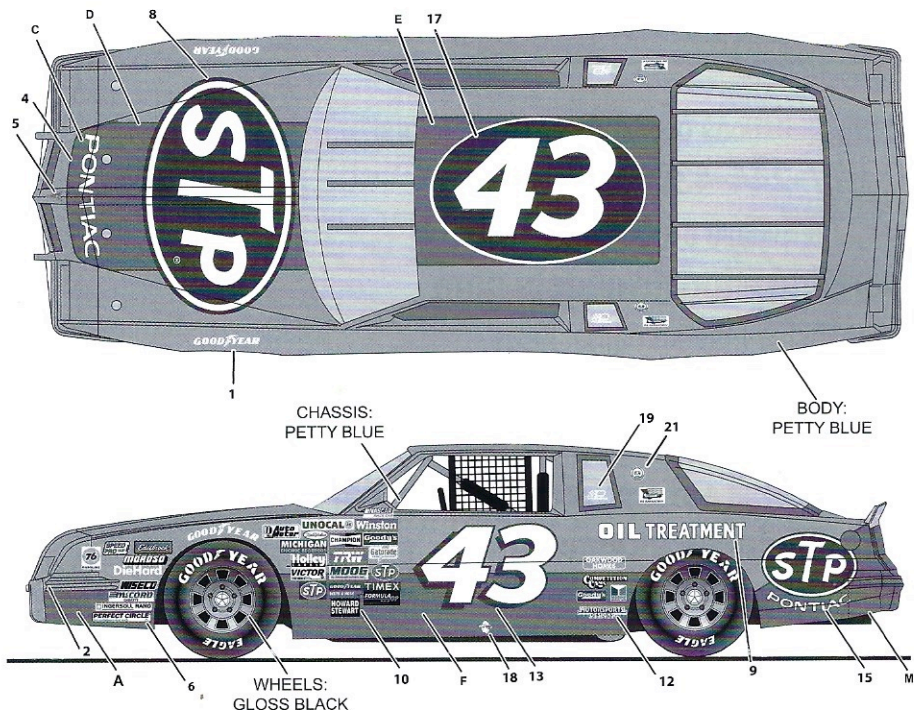


© 2020 All Petty Marks used under license from RPAC Racing, LLC

General Motors Trademarks used under License to Salvinos J R Models, Inc.

**Richard Petty** nicknamed **The King**, raced from 1958 to 1992. He was the first driver to win the Championship seven times and holds the record 200 race wins during his career, winning Daytona a record seven times, and winning a record 27 races (10 of them consecutively) in the 1967 season alone. Statistically, he is the most accomplished driver in the history of the sport and is one of the most respected figures in motorsports as a whole. He also collected a record number of poles (127) and over 700 Top 10 finishes in his record 1,184 starts, including 513 consecutive starts from 1971-1989. Petty was the first of two drivers to ever win in his 500th race start. He was inducted into the inaugural class of the Hall of Fame in 2010. Petty remains very active, as both a team owner of Richard Petty Motorsports in the Cup Series and owner of Petty's Garage (car restoration and modification shop) in Level Cross, North Carolina.

[Information courtesy of Wikipedia.org/wiki/Richard\_Petty]



1

CYLINDER HEAD  
22  
RED

ENGINE  
72  
RED

CRANKCASE  
\* 48

ALUMINUM

CYLINDER HEAD  
22  
RED

2

CHROME AIR CLEANER  
\*52

CHROME CARBURETOR  
51

CHROME VALVE COVER  
\*49

WHITE

CHROME INTAKE MANIFOLD  
\*50

CHROME VALVE COVER  
\*77

BREATHER  
23  
FLAT BLACK

GRAY

3

HEADER  
73  
WHITE

CHROME ALTERNATOR  
\*53

GLOSS BLACK

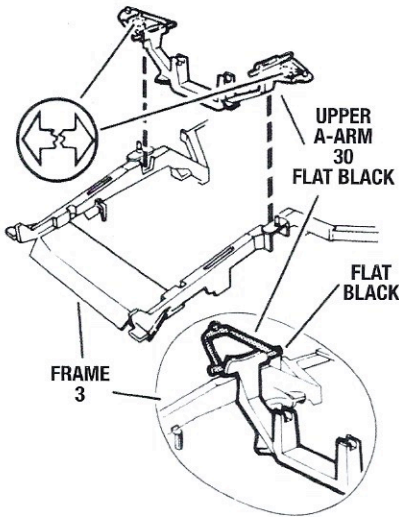
FAN  
25  
GLOSS BLACK

GLOSS BLACK

BELTS  
24  
FLAT BLACK

HEADER  
26  
WHITE

4



UPPER A-ARM  
30  
FLAT BLACK

FLAT BLACK

FRAME  
3

5

LOWER A-ARM  
29  
FLAT BLACK

6

COMPLETED ASSEMBLY

SOME DETAILS OMITTED

7

CHROME SHIFTER  
\*46

FLAT BLACK

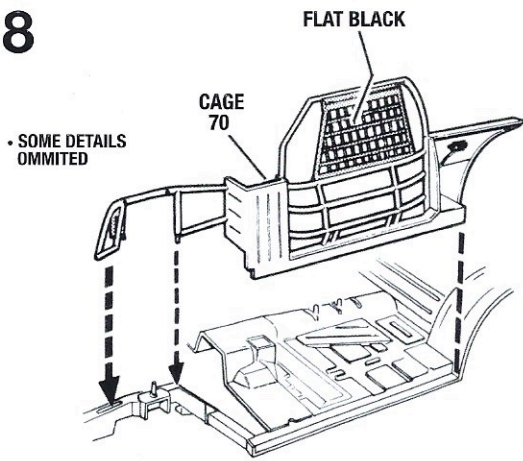
WHITE  
RED

FIRE EXTINGUISHER  
14

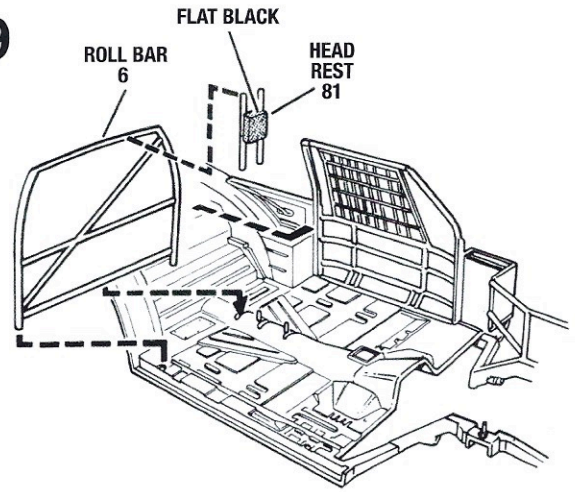
DIFFERENTIAL COOLER  
16  
ALUMINUM

GLOSS BLACK

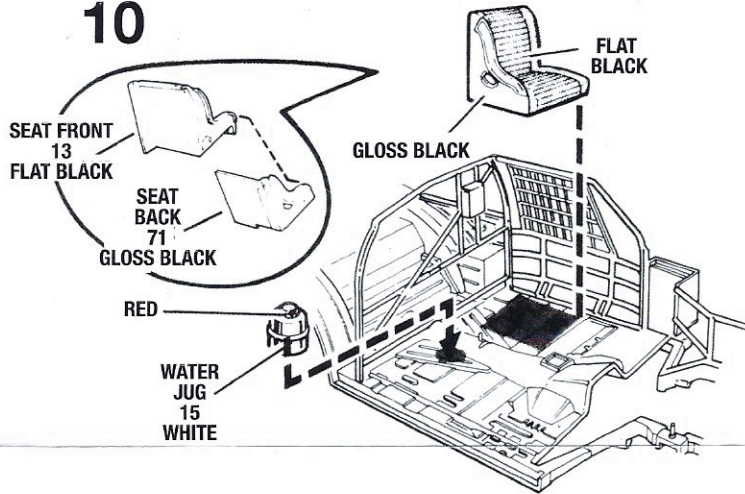
8



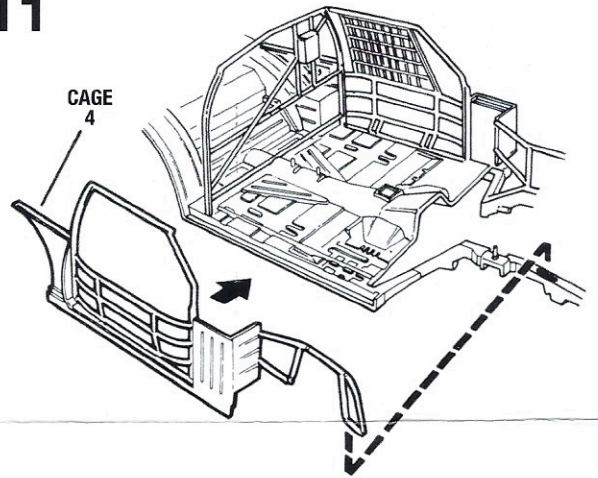
9



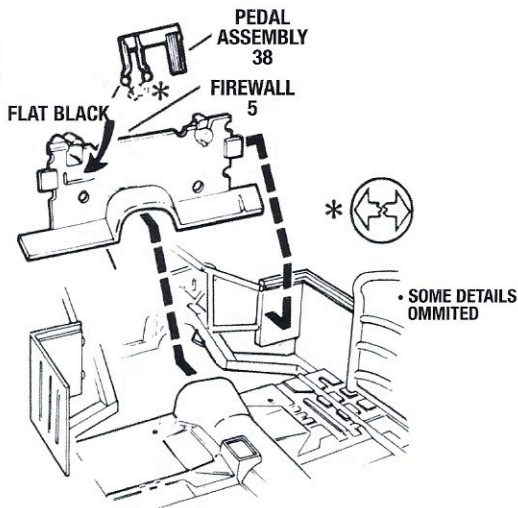
10



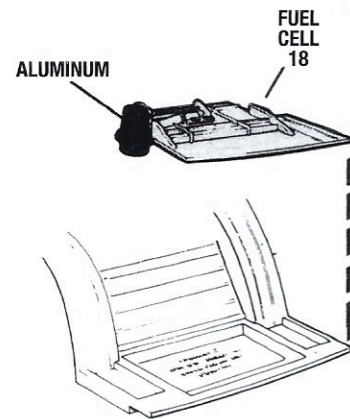
11



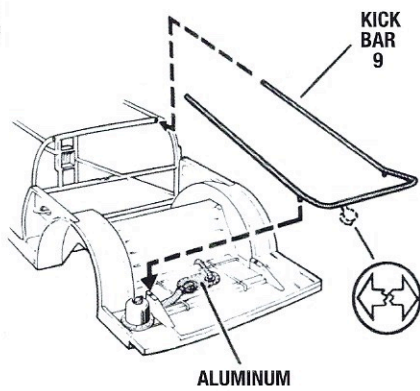
12



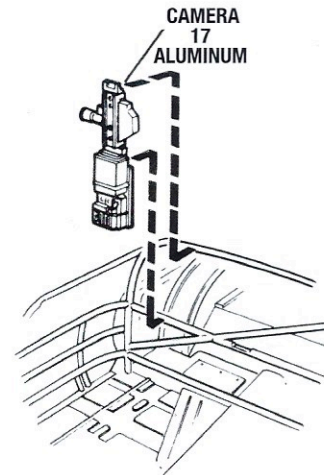
13



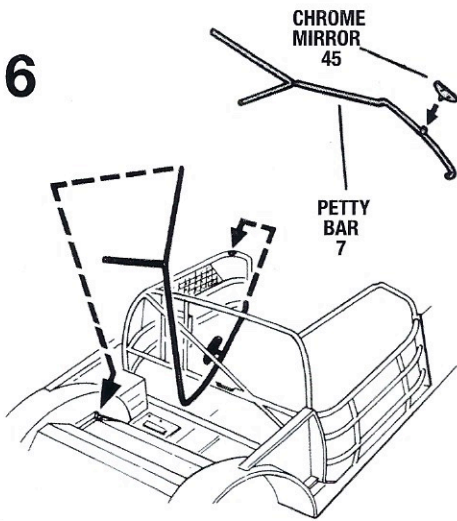
14



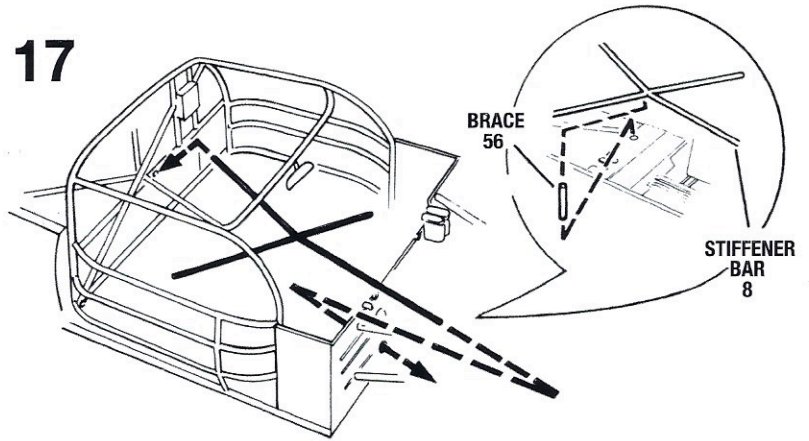
15



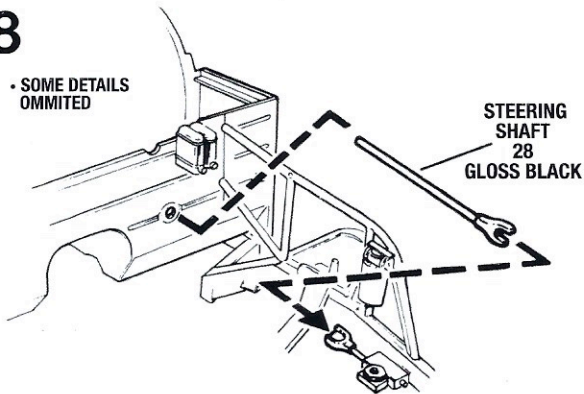
16



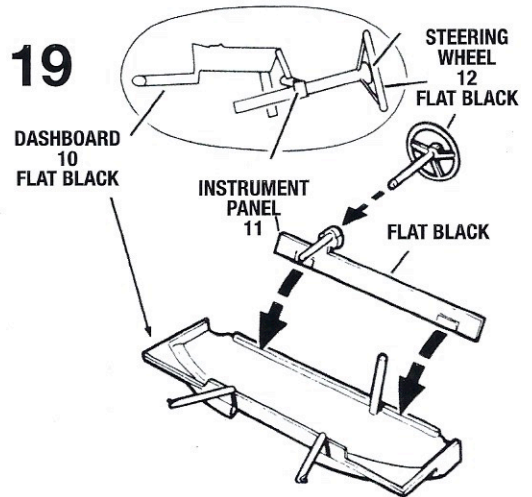
17



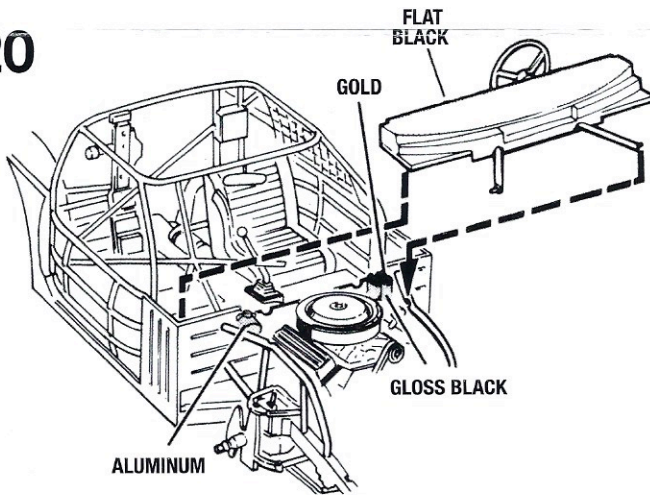
18



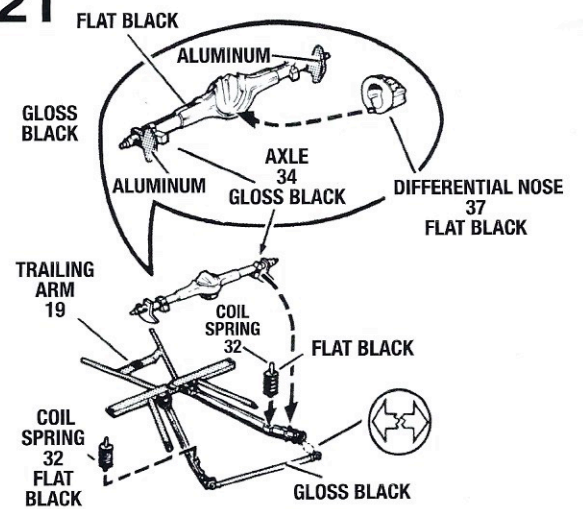
19



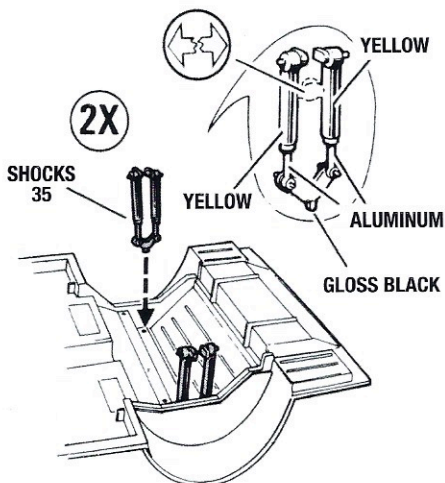
20



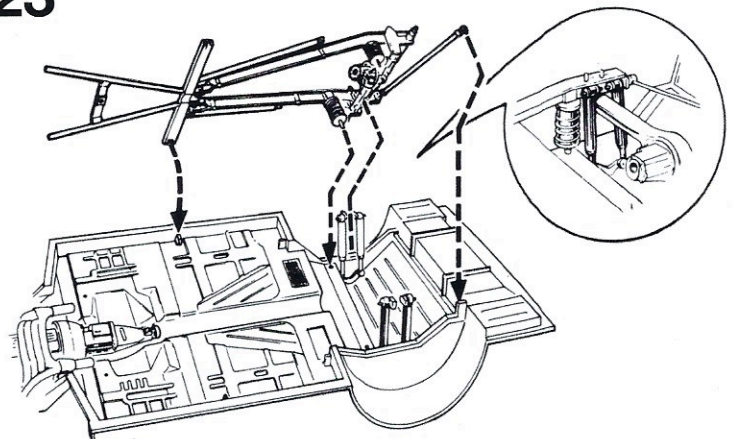
21



22



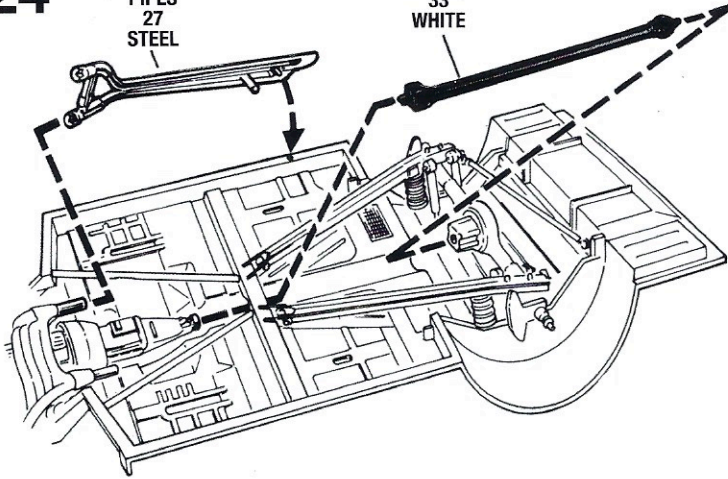
23



24

EXHAUST  
PIPES  
27  
STEEL

DRIVE  
SHAFT  
33  
WHITE



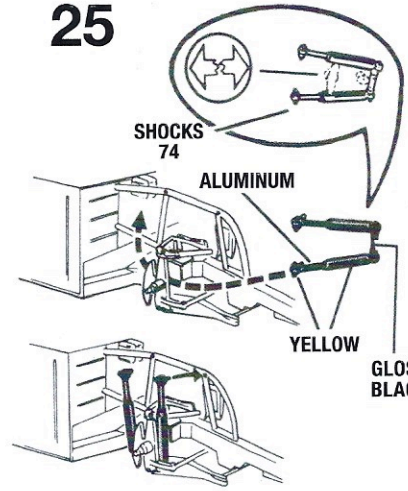
25

SHOCKS  
74

ALUMINUM

YELLOW

GLOSS  
BLACK



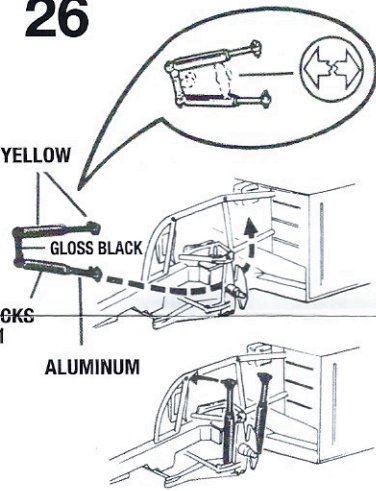
26

YELLOW

GLOSS BLACK

SHOCKS  
31

ALUMINUM



27

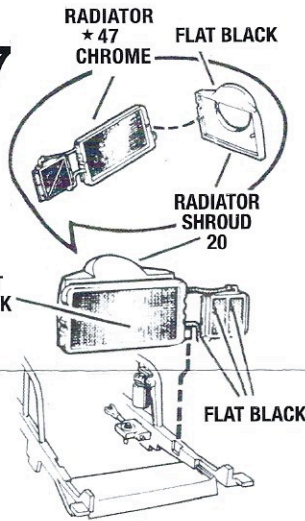
RADIATOR  
\*47  
CHROME

FLAT BLACK

RADIATOR  
SHROUD  
20

FLAT BLACK

FLAT BLACK



28

4X

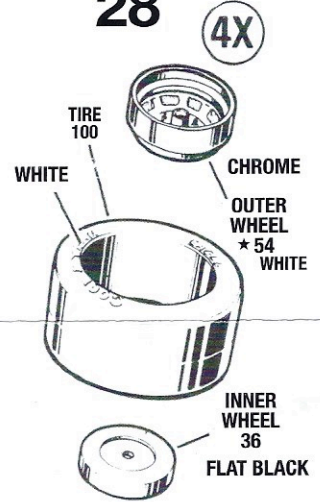
TIRE  
100

WHITE

CHROME

OUTER  
WHEEL  
\*54  
WHITE

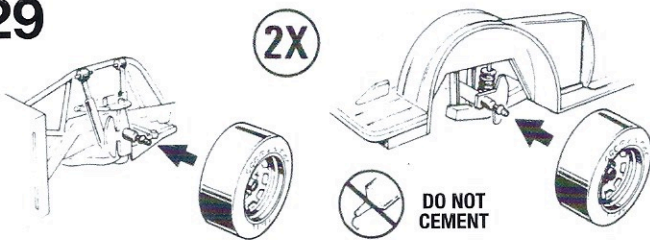
INNER  
WHEEL  
36  
FLAT BLACK



29

2X

DO NOT  
CEMENT



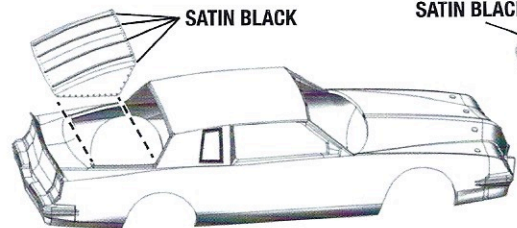
31

REAR WINDOW

REAR WINDOW UNDER

SATIN BLACK

SATIN BLACK



30

SOME DETAILS OMITTED

RADIATOR  
HOSE  
39  
FLAT  
BLACK



WINDSHIELD

