

TAMEO KITS

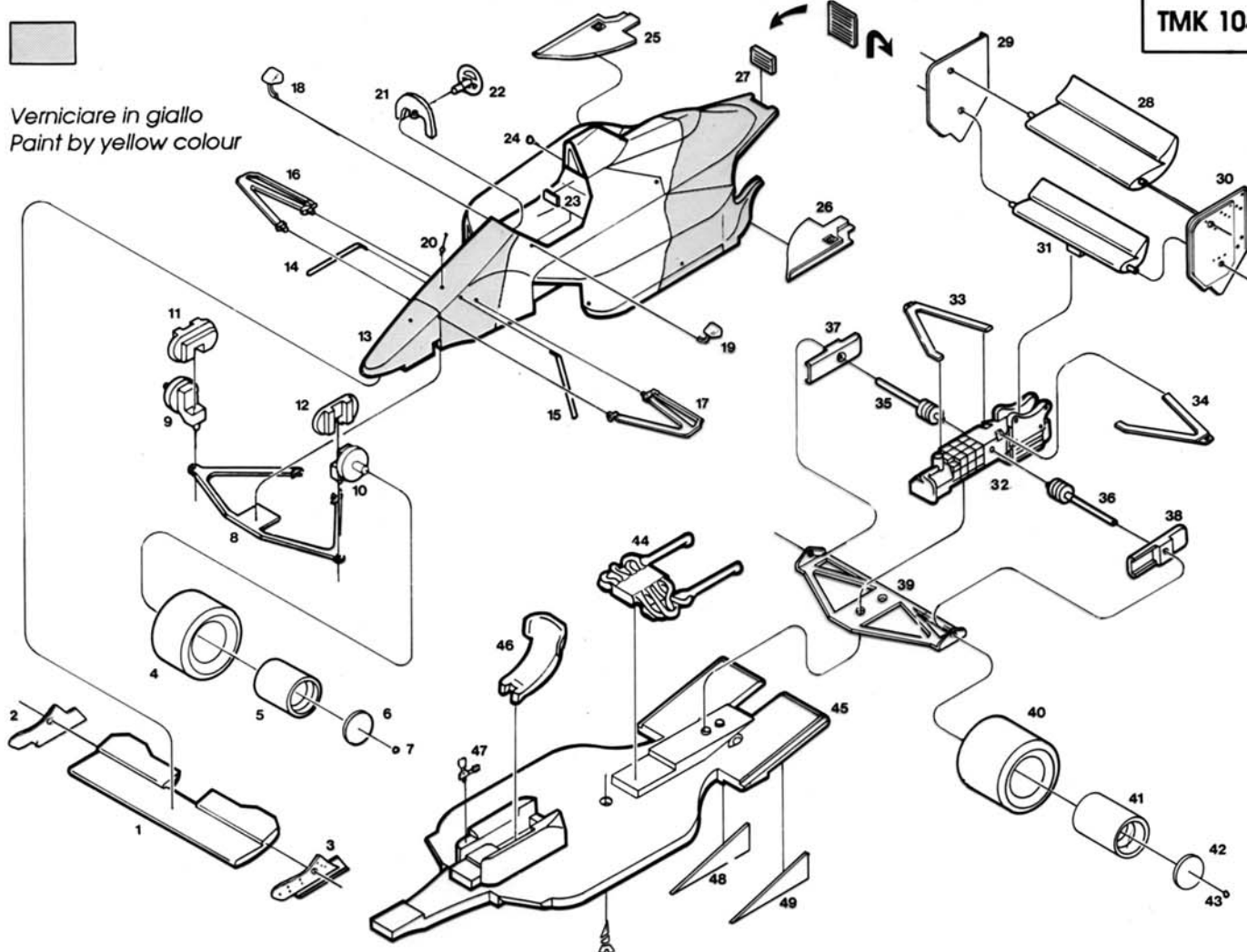
V.le Cristoforo Colombo 36/38
17022 Borgio Verezzi (SV) Italy
Tel. 019 - 61.52.50 / Fax 019 - 61.53.10



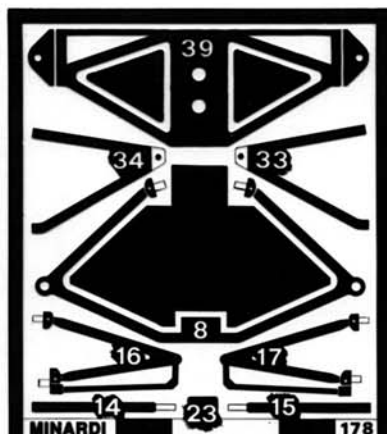
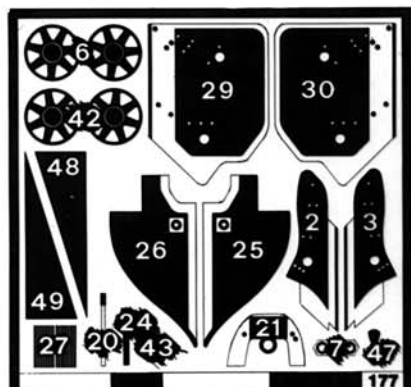
MINARDI COSWORTH M 189

G.P. INGHILTERRA 1989

TMK 104



Fotoincisioni/Photoetched



Prototipo: Luca Tameo
Fusione: Tameo Band
Decals: Cartograf
Assist: Manopolo Polopo

G.P. INGHILTERRA (16/07/89)

5° PIER LUIGI MARTINI
6° LUIS PERES SALA

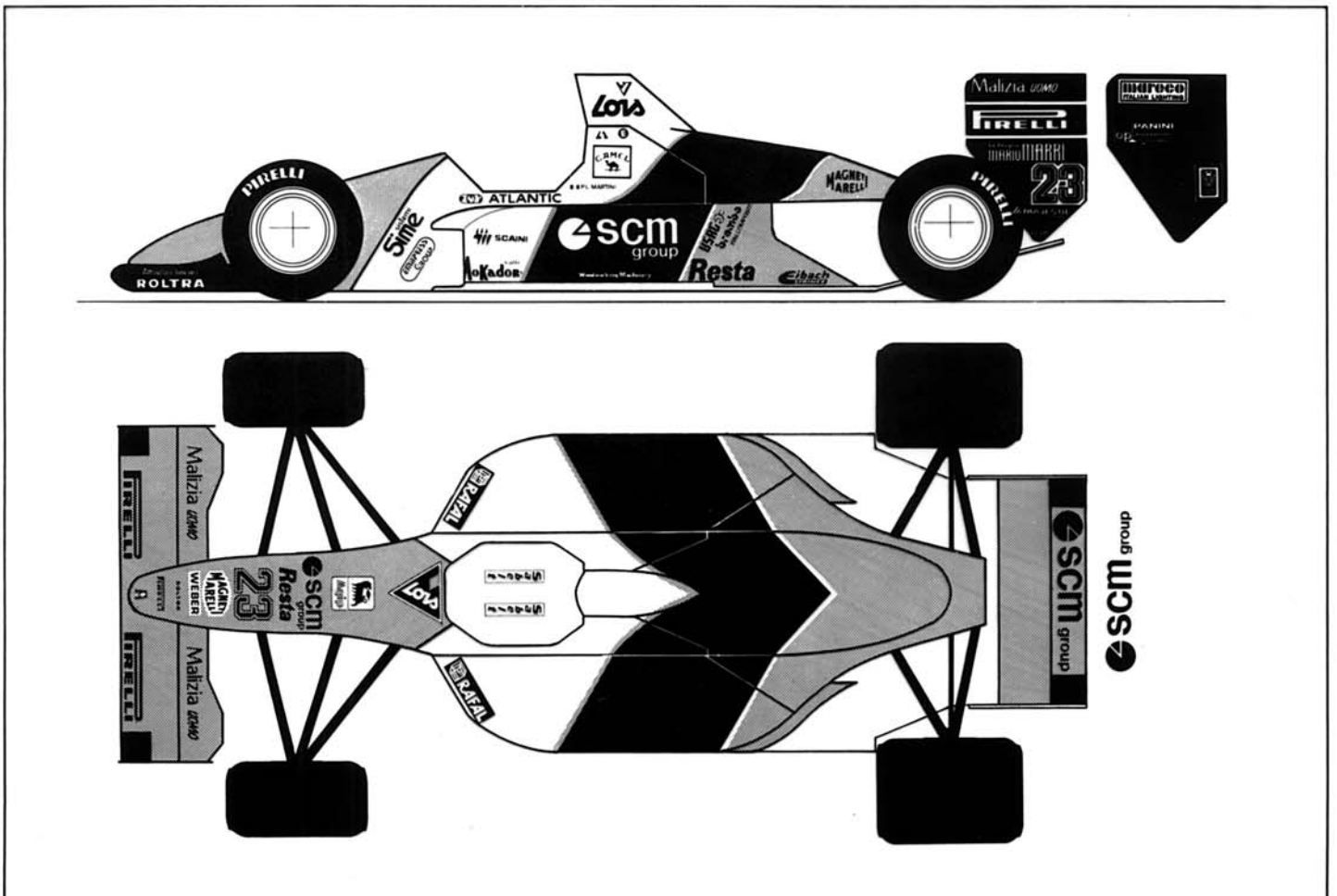
N° 23 P.L. MARTINI
Chassis M 189/03

N° 24 L.P. SALA
Chassis M 189/02



1	Alettone anteriore	Front wing	Giallo/Yellow	25-26	Predelle fiancate	Sidepods panels	Nero Satinato/Satin Black
2-3	Laterali alettone anteriore	Front wing end plates	Nero Satinato/Satin Black	27	Radiatore olio cambio	Gear box oil radiator	Metallico/Gun Metal
4	Pneumatici anteriori (x 2)	Front tyres (x 2)		28	Alettone posteriore superiore	Rear upper wing	Nero Satinato/Satin Black
5	Cerchi anteriori (x 2)	Front wheels (x 2)	Plastica Nera/Black Plastic	29-30	Laterali alettone posteriore	Rear wing end plates	Nero Satinato/Satin Black
6	Razze ruote anteriori (x 2)	Front wheels spokes (x 2)	Nero Satinato/Satin Black	31	Alettone posteriore inferiore	Rear lower wing	Nero Satinato/Satin Black
7	Dadi ruote anteriori (x 2)	Front wheels nuts (x 2)	Argento/Silver	32	Scatola cambio	Gear box	Metallico/Gun Metal
8	Sospensione anteriore inferiore	Front lower suspension	Nero Satinato/Satin Black	33-34	Sospensioni posteriori superiori	Rear upper suspensions	Nero Satinato/Satin Black
9-10	Portamazzi anteriori	Front uprights	Nero Satinato/Satin Black	35-36	Semiassi	Drive shafts	Acciaio/Steel
11-12	Prese aria freni anteriori	Front brake ducts	Nero Satinato/Satin Black	37-38	Prese aria freni posteriori	Rear brake ducts	Nero Satinato/Satin Black
13	Carrozzeria Interno abitacolo	Body Cockpit interior	Bianco/White Nero Opaco/Matt Black	39	Sospensioni posteriori inferiori	Rear lower suspensions	Nero Satinato/Satin Black
14-15	Puntoni ammortizzatori anteriori	Front push rods	Nero Satinato/Satin Black	40	Pneumatici posteriori (x 2)	Rear tyres (x 2)	Plastica Nera/Black Plastic
16-17	Sospensioni anteriori superiori	Front upper suspensions	Nero Satinato/Satin Black	41	Cerchi posteriori (x 2)	Rear wheels (x 2)	Nero Satinato/Satin Black
18-19	Specchietti retrovisori	Mirrors	Plastica Nera/Black Plastic	42	Razze ruote posteriori (x 2)	Rear wheels spokes (x 2)	Argento/Silver
20	Antenna radio	Radio	Nero Satinato/Satin Black	43	Dadi ruote posteriori (x 2)	Rear wheels nuts (x 2)	Bronzo/Bronze
21	Cruscotto	Instruments	Nero Opaco/Matt Black	44	Scarichi	Exhausts	Nero Satinato/Satin Black
22	Volante	Steering wheel	Plastica Nera/Black Plastic	45	Pavimento	Chassis floor	Nero Opaco/Matt Black
23	Poggiatesta Presa aria motore	Headrest Snorkel intake	Nero Satinato/Satin Black Nero Opaco/Matt Black	46	Sedile	Seat	Argento/Silver
24	Anello estintore	Extinguisher ring	Rosso/Red	47	Leva cambio Pomello leva cambio	Gear box lever Gear box lever knob	Nero Opaco/Matt Black
				48-49	Derive scivolo	Chassis fences	Nero Satinato/Satin Black

CONVERSIONE COLORI/COLOURS CONVERSION		
Bianco/White	Tameo VS 2001	Ford Diamond White
Giallo/Yellow	Tameo VS 5001	Vauxall Autumn Gold
Nero Satinato/Satin Black	Tameo VS6002	Duplicolor Flat 77-051
Nero Opaco/Matt Black		Humbrol N° 33
Rosso/Red		Humbrol N° 19
Metallico/Gun Metal		Humbrol N° 53
Bronzo/Bronze		Humbrol N° 55
Argento/Silver		Humbrol N° 11
Acciaio/Steel		Humbrol Polished Steel





Minardi Cosworth M 189 G.P. INGHILTERRA 1989

TMK 104

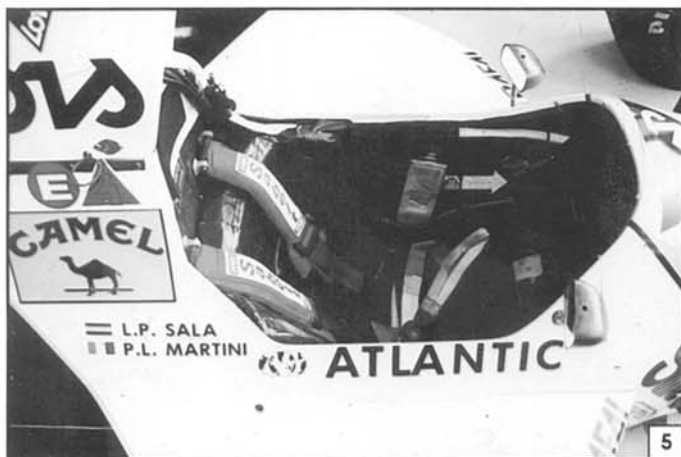


Photo by:
1/2/3/4 : Gordon Dawkins
5/6/7/8 : Luca Tameo