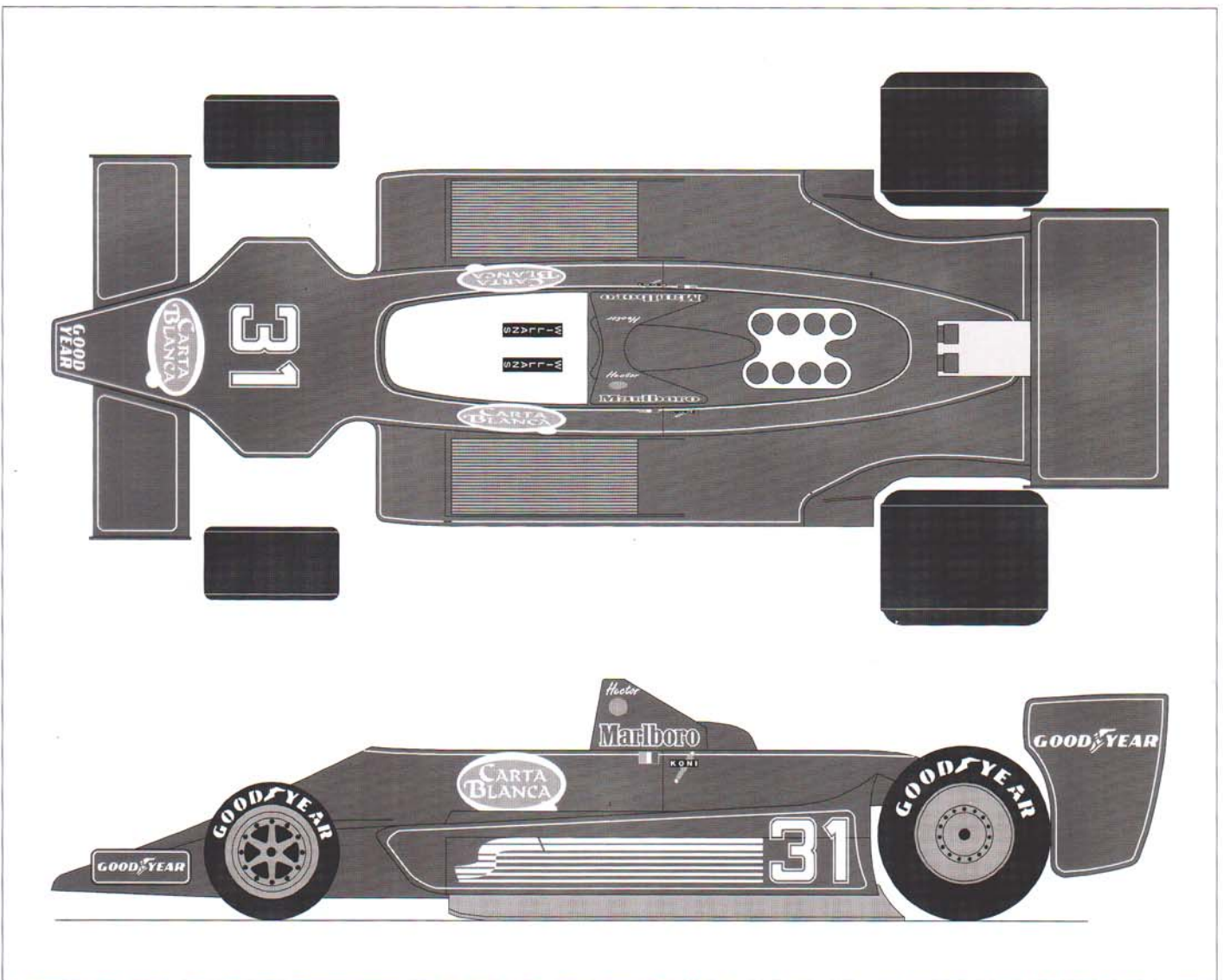


TAMEO KITS

TMK 176

LOTUS FORD 79 " CARTA BLANCA " BRAZILIAN G.P. 1979

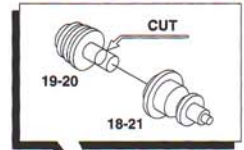
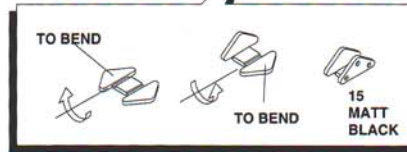
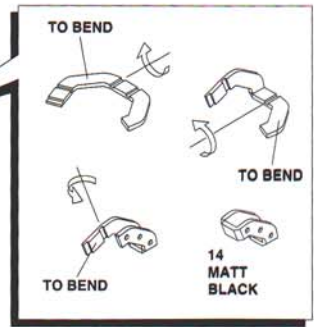
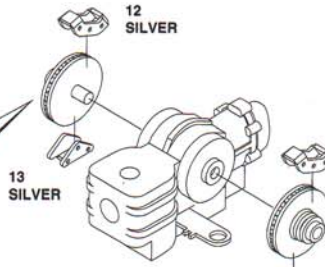
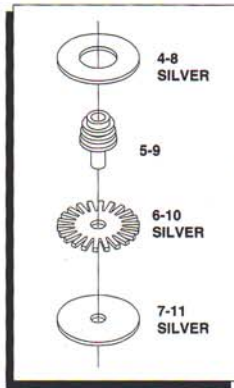
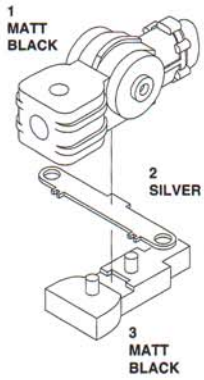


TAMEO KITS

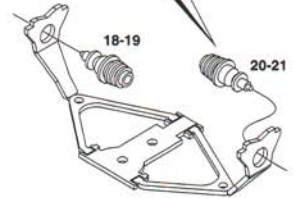
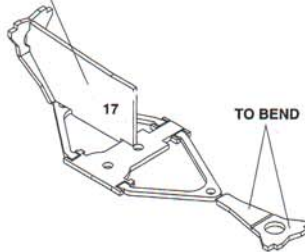
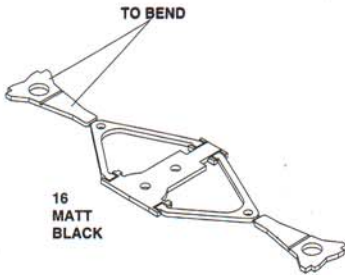
Tameo Kits srl
Viale C.Colombo, 36-38 17022 B.VEREZZI SV ITALY
Tel. 3919 - 615.20 Fax. 3919 - 615.310

Made in Italy. Collector 1/43 Scale Models. Vietata la vendita ai minori di 14 anni. Nocivo per ingestione. Conservare fuori dalla portata dei bambini
Made in Italy. Collector 1/43 Scale Models. Not for sale to persons under 14 years of age. Dangerous if swallowed. Keep out of reach of children. Tameo shall not held responsible for any damage or injury resulting from improper use of the product.
Fabriqué en Italie. Collector 1/43 Scale Models. Vente interdite aux enfants de moins de 14 ans. Dangereux si avalé. Conserver hors de la portée des enfants. Tameo décline toute responsabilité dans le cas de dommages du

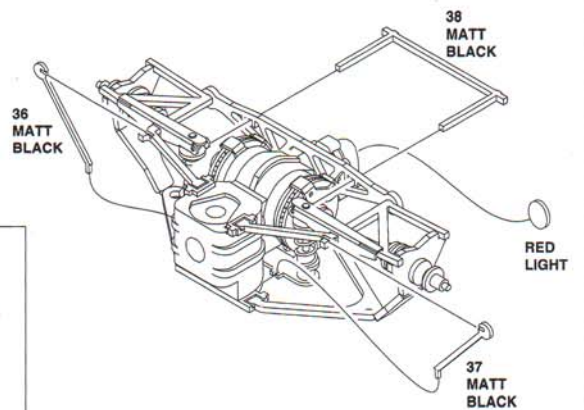
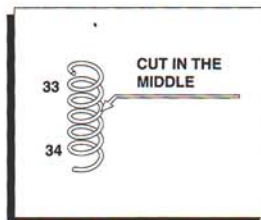
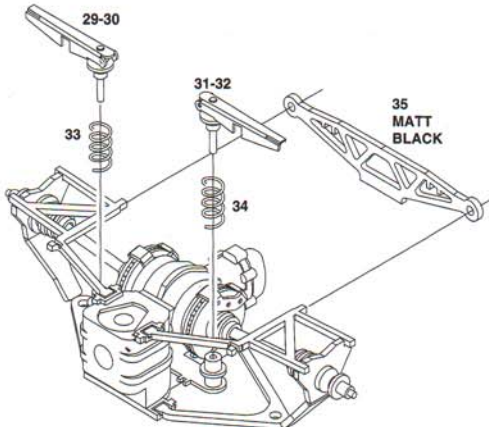
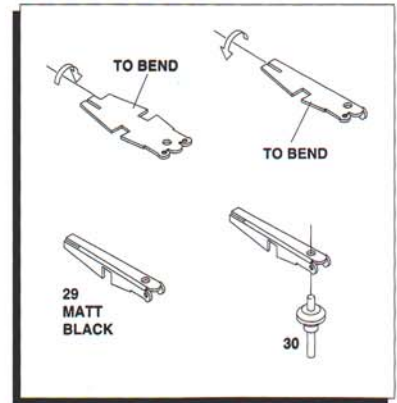
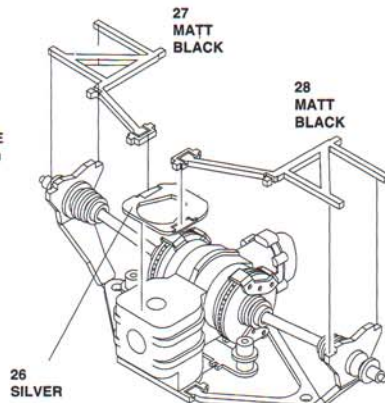
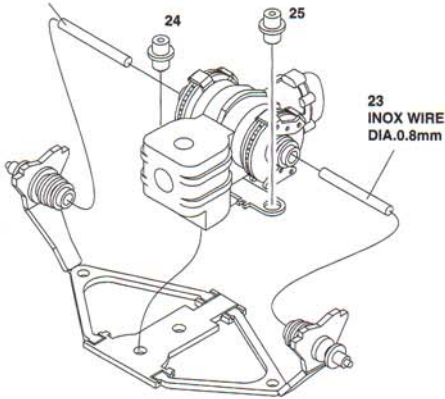
GEAR BOX-REAR SUSPENSION ASSEMBLY



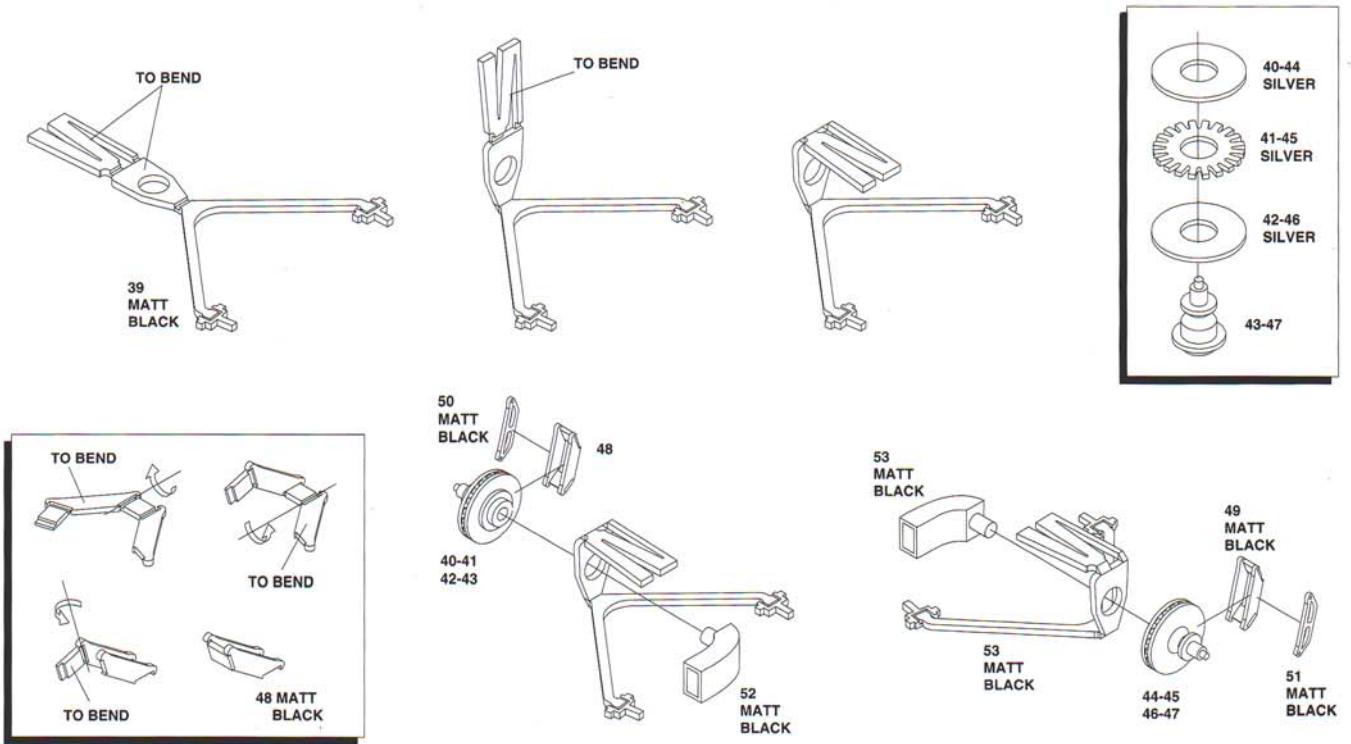
USE THIS MASTER TO BEND THE SUSPENSION



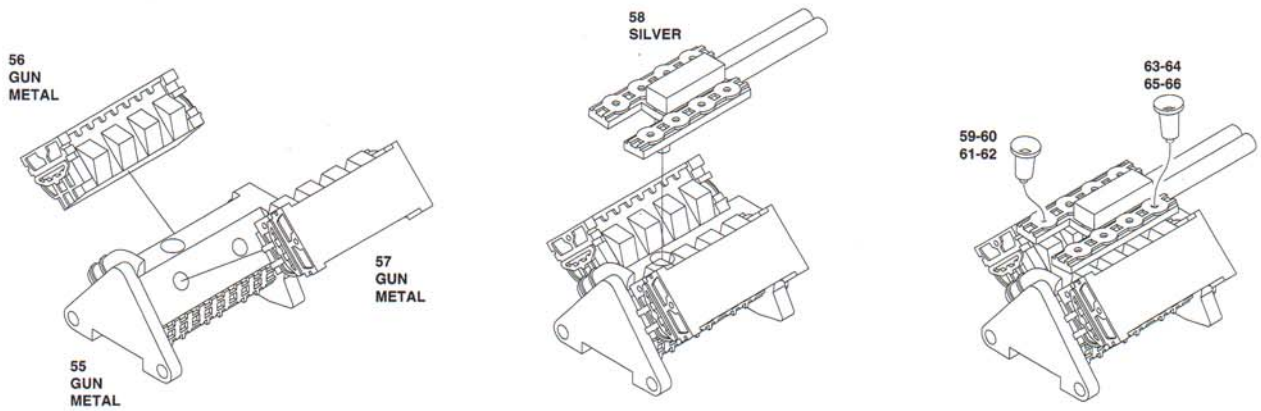
22 INOX WIRE DIA. 0.8mm



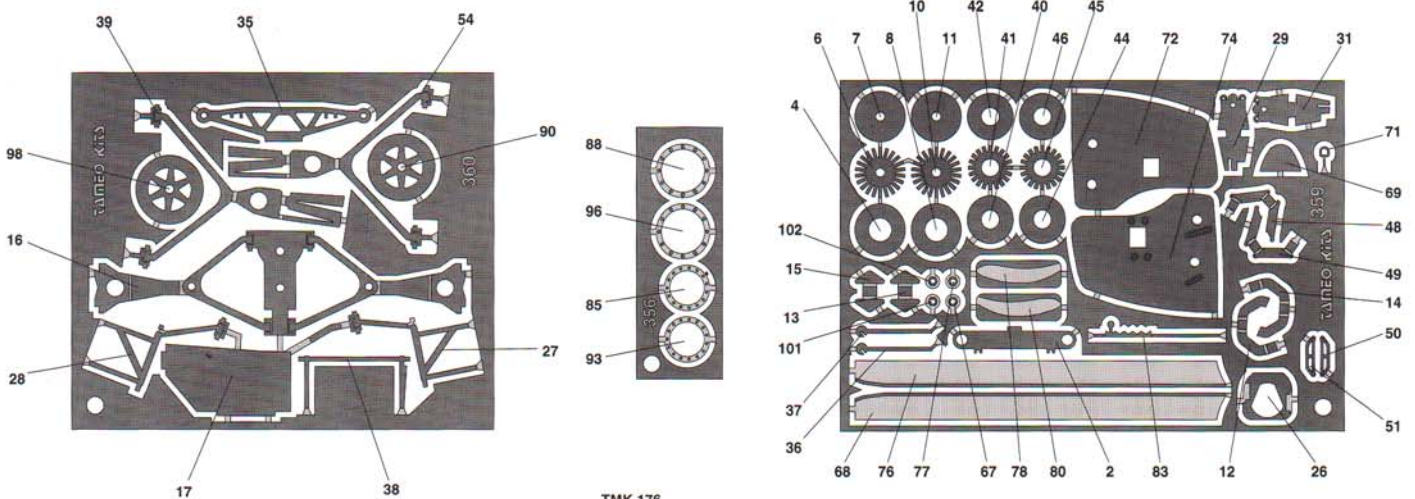
FRONT SUSPENSION ASSEMBLY



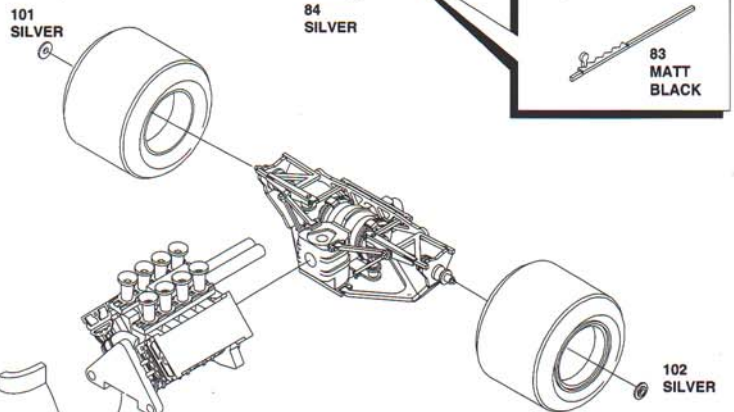
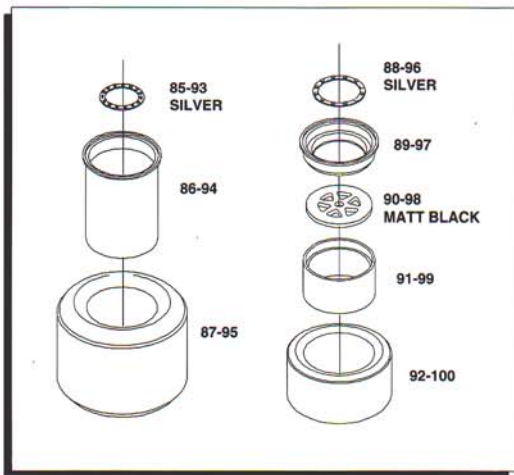
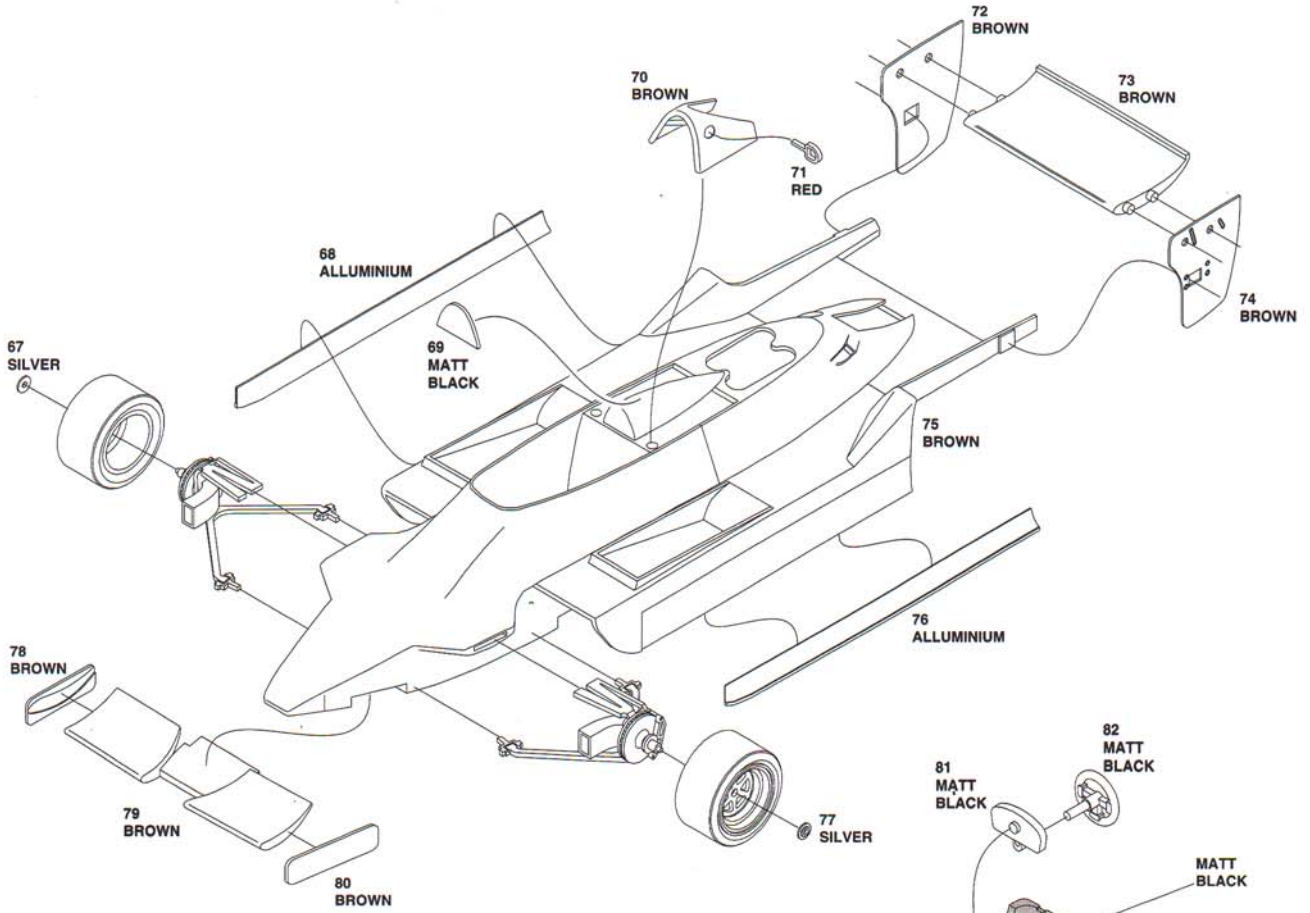
ENGINE ASSEMBLY



PHOTOETCHEDS



FINAL ASSEMBLY



BODY COLOUR
DUPLICOLOR
FIAT MARRONE TESTA DI MORO 793
FORD RIO BROWN

