

TAMEO KITS

LARROUSSE LH94

Manufactured under licence from
"TEAM LARROUSSE S.A."



TMK 186

Photo 1

SPANISH G.P. 1994

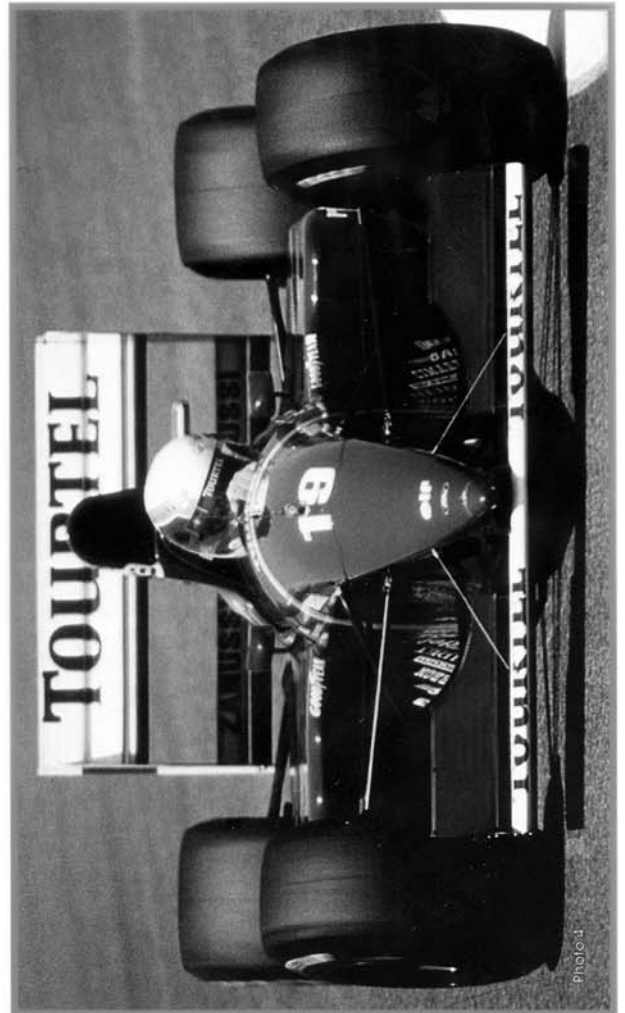
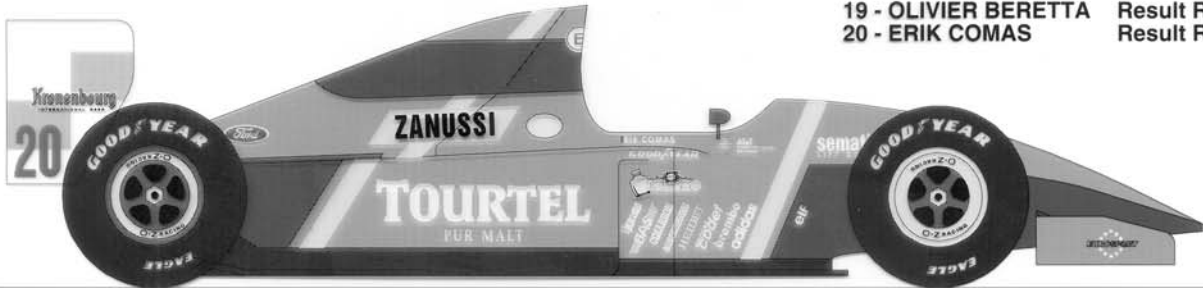
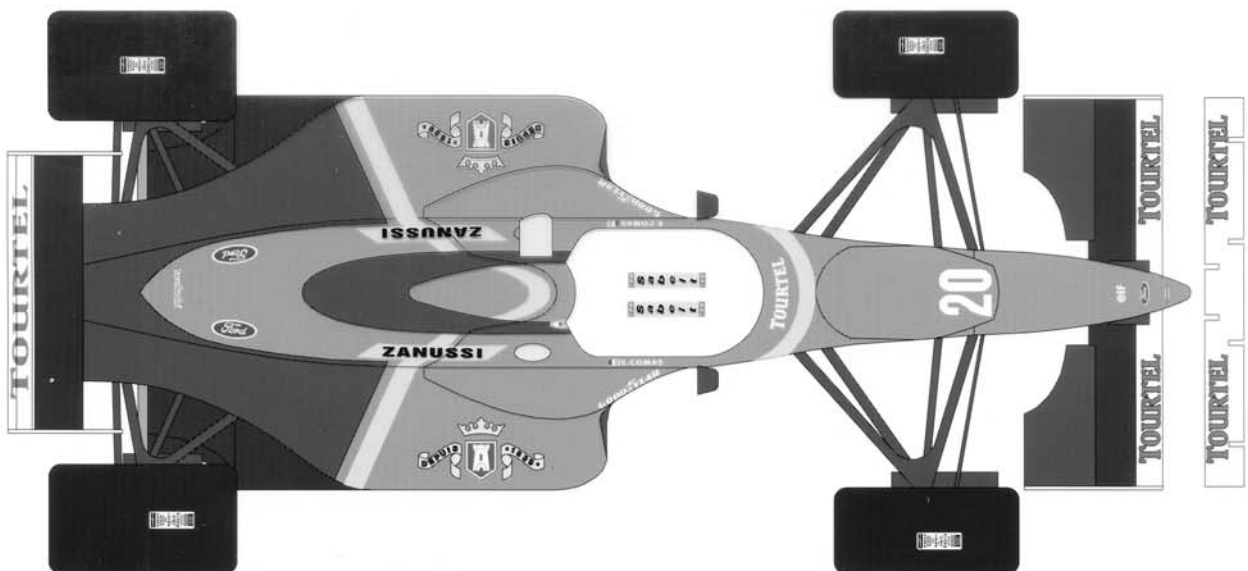


Photo 1

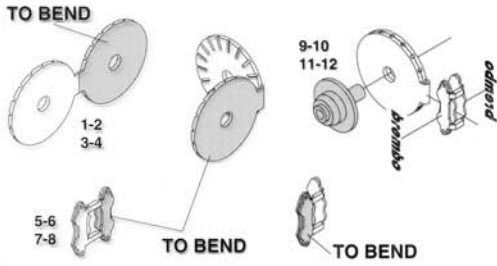


19 - OLIVIER BERETTA
20 - ERIK COMAS

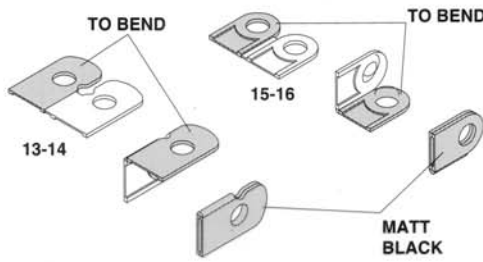
Result Ret.
Result Ret.



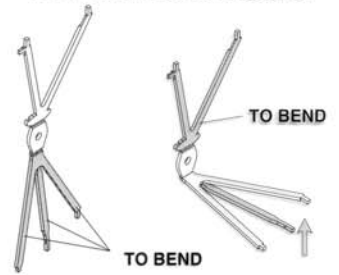
DISKS & BRAKES CALLIPER ASSEMBLY



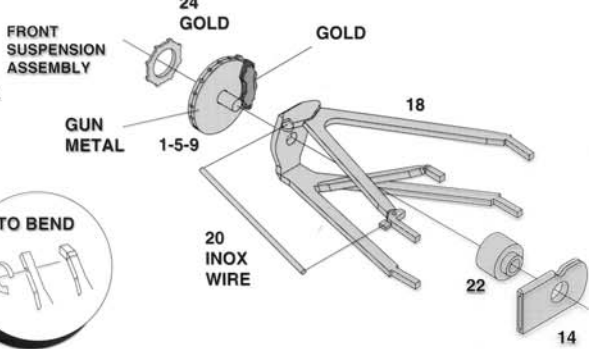
BRAKE DUCTS ASSEMBLY



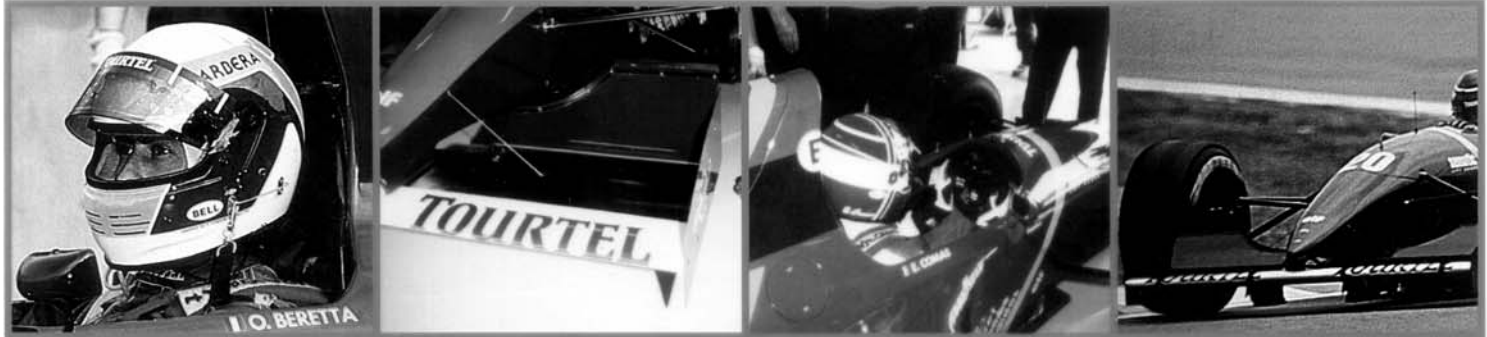
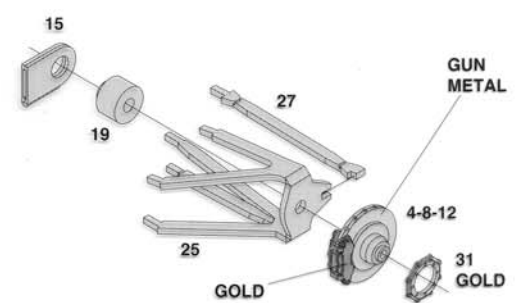
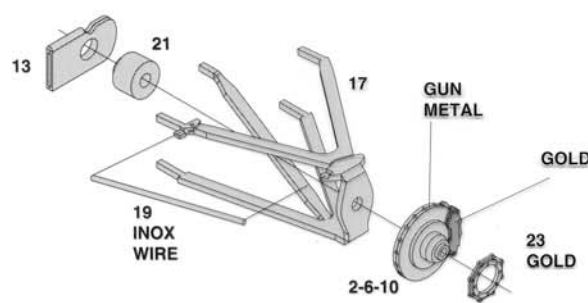
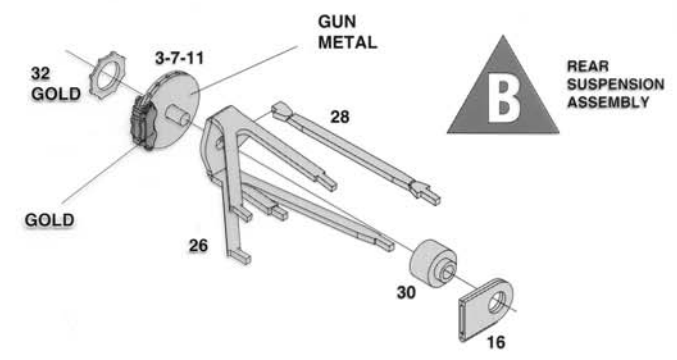
HOW TO BEND SUSPENSIONS



A

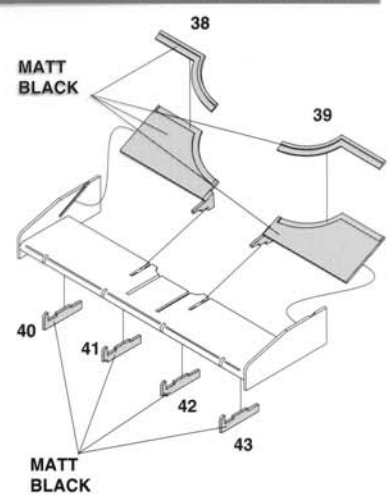
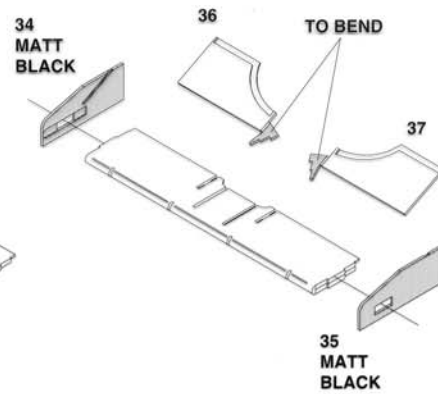
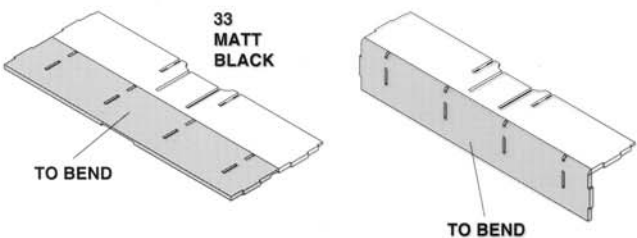


B



C

FRONT WING ASSEMBLY



TMK 186



Tameo Kits srl
 Viale C.Colombo, 36-38
 17022 BORGIO VEREZZI SV ITALY
 Tel. 3919 - 615.250 Fax. 3919 - 615.310

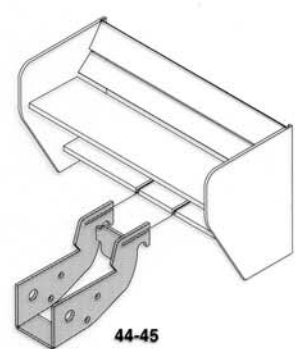
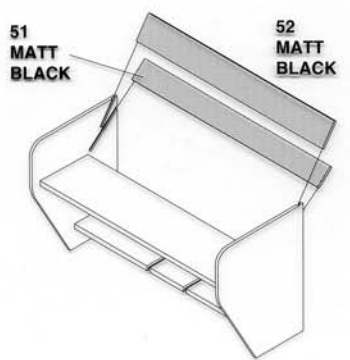
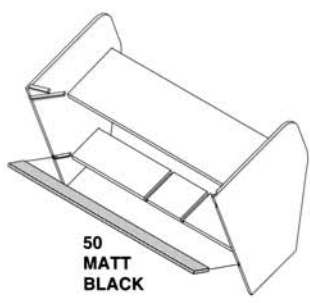
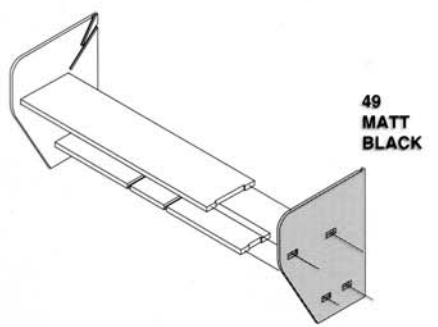
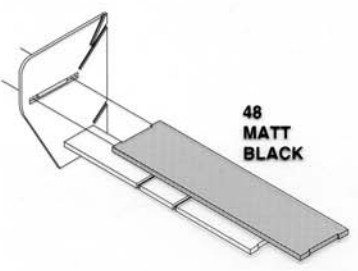
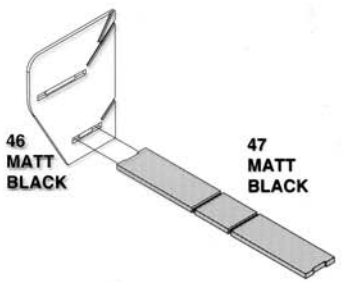
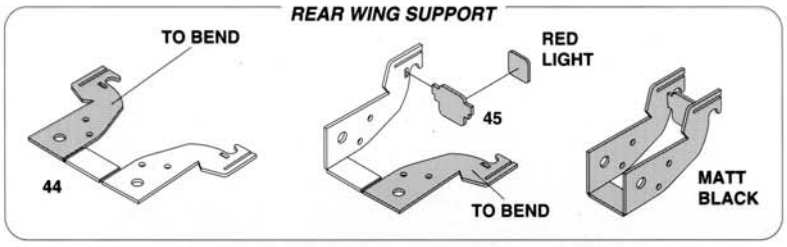
Made in Italy. Collector 1/43 Scale Models. Vietata la vendita ai minori di 14 anni. Nocivo per ingestione. Conservare fuori dalla portata dei bambini. Tameo Kits declina ogni responsabilità per un uso improprio del prodotto.

Made in Italy. Collector 1/43 Scale Models. Not for sale to persons under 14 years of age. Dangerous if swallowed. Keep out of reach of children. Tameo Kits not held responsible for any damage or injury resulting from improper use of the product.

Made in Italy. Collector 1/43 Scale Models. Vente interdite aux enfants de moins de 14 ans. Dangereux si avalé. Conserver hors de la portée des enfants. Tameo Kits décline toute responsabilité dans le cas de dommages ou préjudices dérivant de l'usage non approprié du produit.

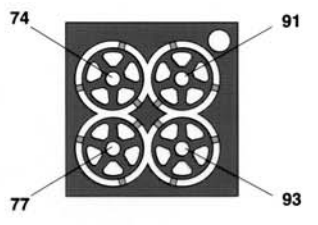
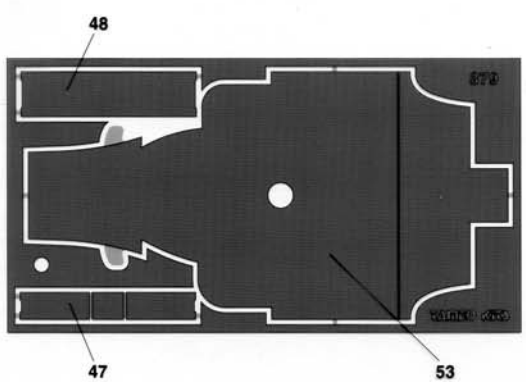
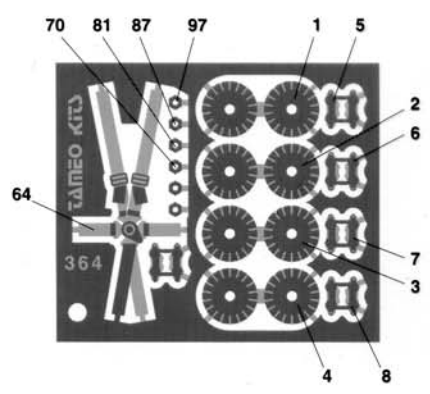
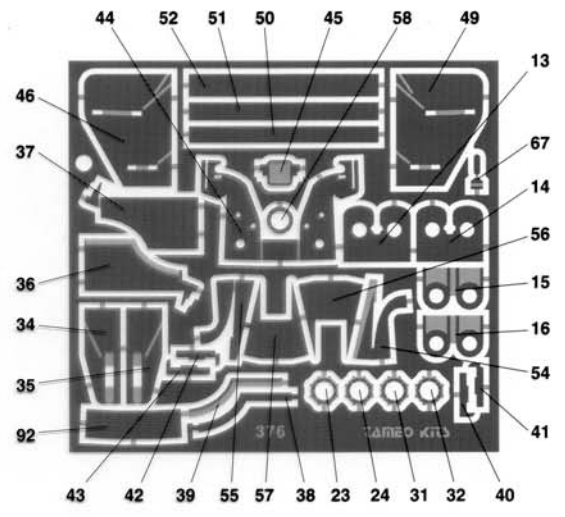
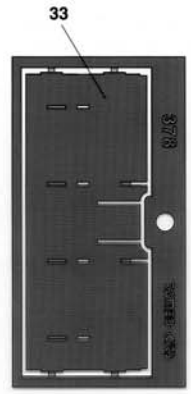
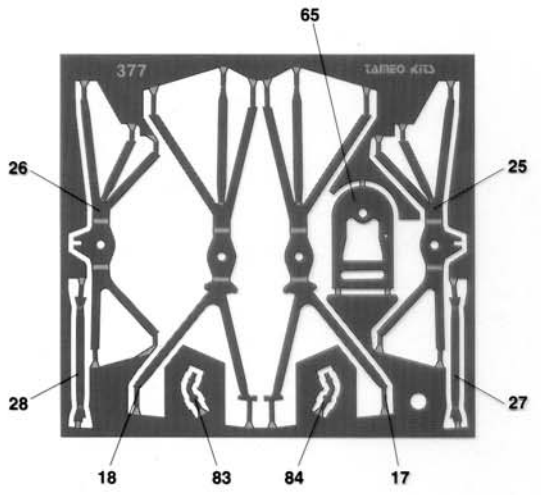


REAR WING ASSEMBLY

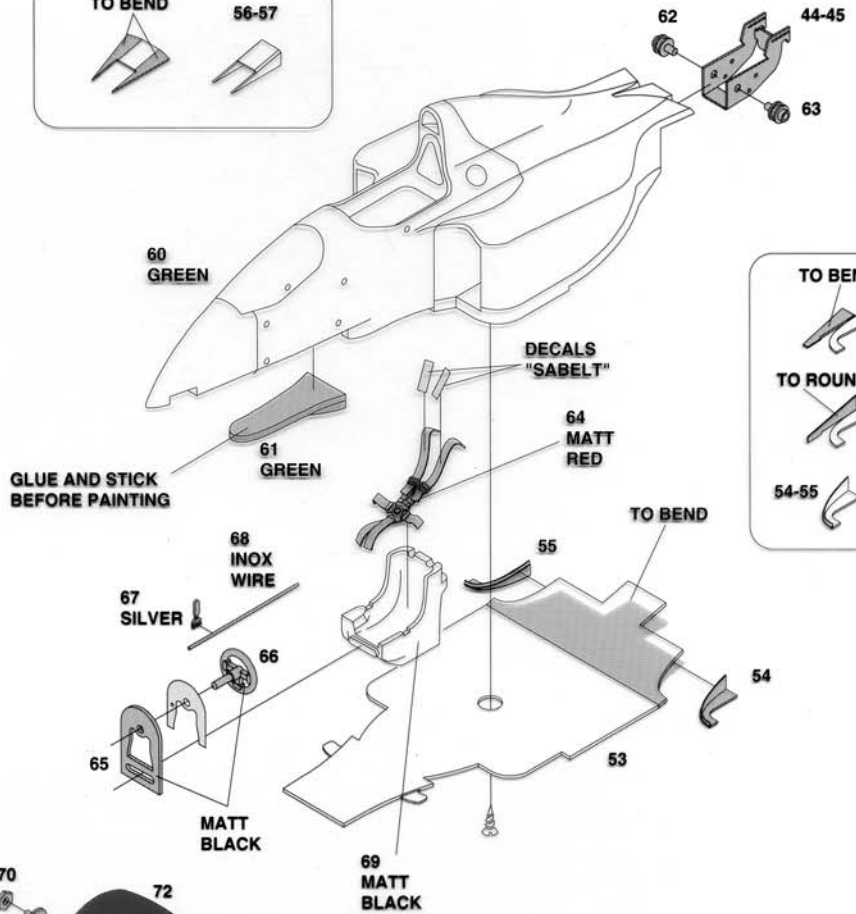
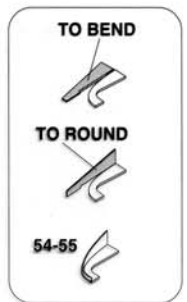
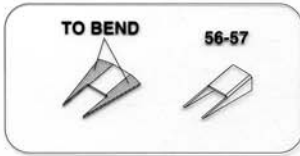
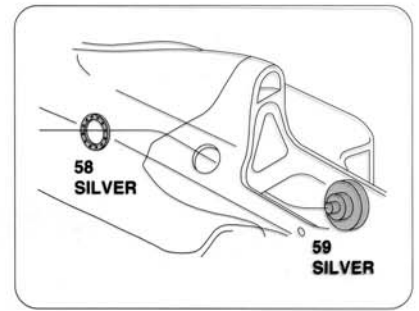
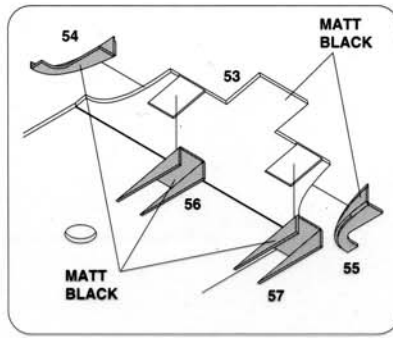
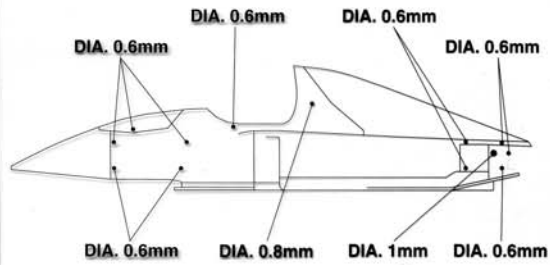


TMK 186

PHOTOETCHEDS



HOW TO HOLE



COLOUR CONVERSION
DUPLI
FORD BITTER GREEN

