



**TAMEO KITS**



**TMK 417**

**FERRARI F138  
G.P. SPAGNA 2013**

**F. Alonso - F. Massa**

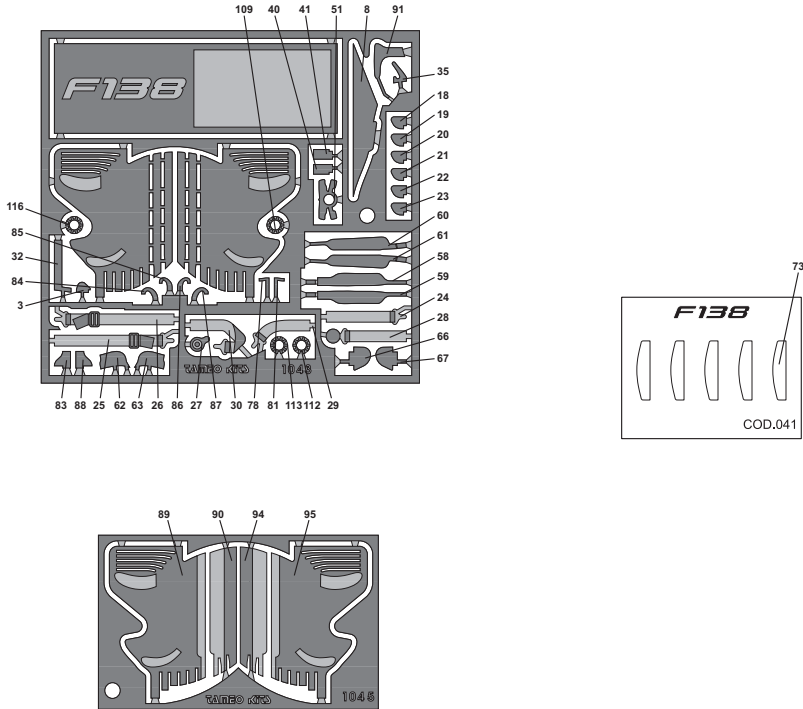
**[www.tameokits.com](http://www.tameokits.com)**



# Colour conversion - Conversione colori - Farbenumwandlung Conversion de couleurs - Colores convensionados

<p>SILVER ARGENTO SILBER ARGENT PLATA</p> <p>TAMIYA X11</p>	<p>BRIGHT METAL RED ROSSO VIVO METALLIZZATO HELIOS METAL ROT ROUGE METAL VIF ROJO VIVAZMICA</p> <p>TAMIYA TS85</p>	<p>METALLIC SILVER ARGENTO METALLIZZATO METALLISERT SILBER ARGENT METALISE PLATA METALIZADA</p> <p>TAMIYA TS83</p>	<p>CHROME YELLOW GIALLO CROMATO CHROMGELB JAUNE CHROME AMARILLO CROMO</p> <p>TAMIYA TS47</p>	<p>WHITE BIANCO WEISS BLANC BLANCO</p> <p>TAMIYA TS26</p>	<p>MATT BLACK NERO OPACO MATTSCHWARZ NOIRE OPAQUE NEGRO OPACO</p> <p>TAMIYA TS6</p>
---	--	--	--	---	---

# Photoetched - Fotoincisioni - Fotogeazett Photogravures - Fotograbado



**TAMEO KITS**  
scale racing car models

**TAMEO KITS** srl

Via Valle, 111 - P.O. Box 61  
17022 BORGIO VEREZZI SV ITALY  
Tel. 39 019 - 615.250 Fax. 39 019 - 615.310

website [www.tameokits.com](http://www.tameokits.com)  
e-mail [sales@tameokits.com](mailto:sales@tameokits.com)  
e-mail [technical@tameokits.com](mailto:technical@tameokits.com)

**Ferrari**  
Official Licensed Product

Produced under license of Ferrari Spa.  
FERRARI, the PRancing Horse device, all associated logos and distinctive designs are property of Ferrari Spa.  
The body designs of the Ferrari cars are protected as Ferrari property under design, trademark and trade dress regulations.

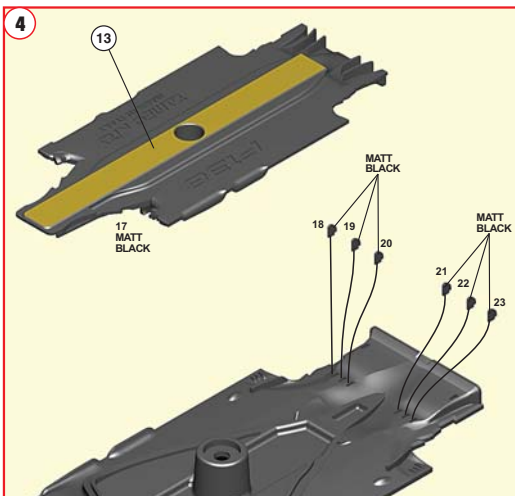
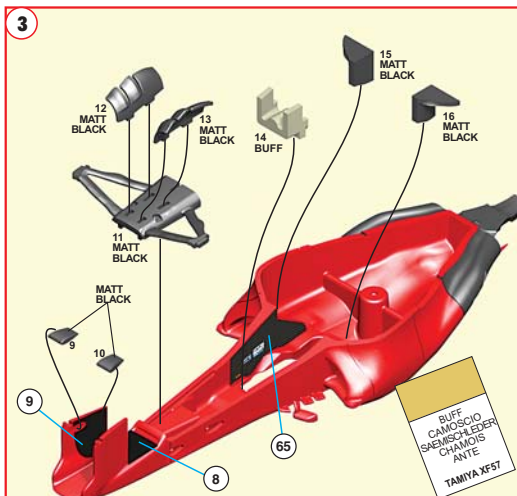
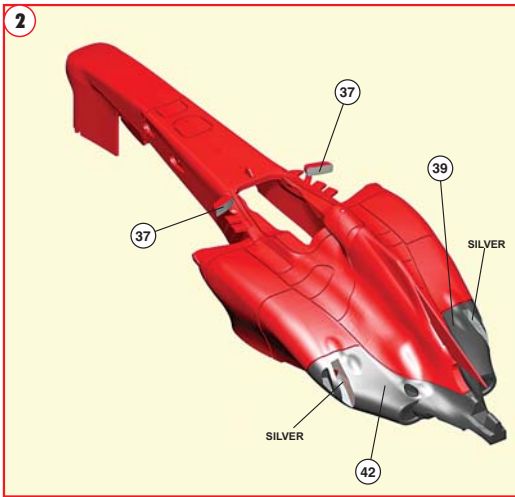
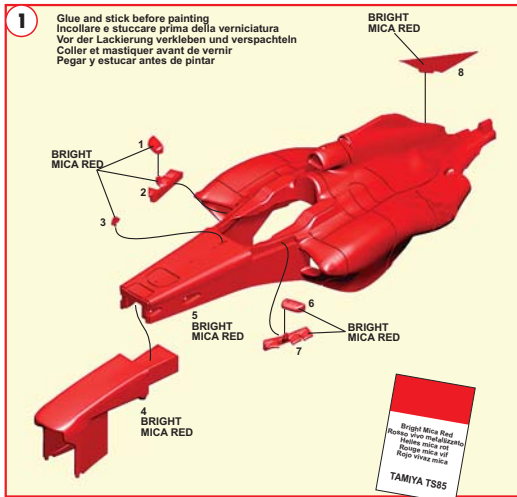
Made in Italy. Modello per collezionisti in scala 1/43. Vietata la vendita ai minori di 14 anni. Nocivo per ingestione. Conservare fuori dalla portata dei bambini. Tameo Kits declina ogni responsabilità per un uso improprio del prodotto.

Made in Italy. Collector 1/43 Scale Models. Not for sale to persons under 14 years of age. Dangerous if swallowed. Keep out of reach of children. Tameo Kits not held responsible for any damage or injury resulting from improper use of the product.

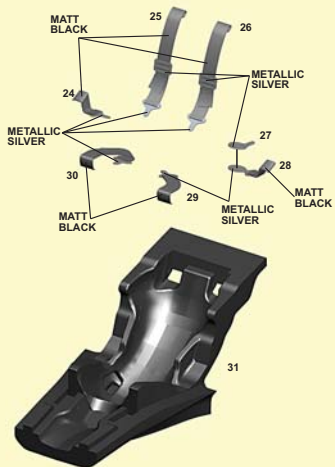
Made in Italy. Modèle pour collectionneurs échelle 1/43. Vente interdite aux enfants de moins de 14 ans. Dangereux si avalé. Conserver hors de la portée des enfants. Tameo Kits décline toute responsabilité dans le cas de dommages dérivants de l'usage non approprié du produit.

Made in Italy. Sammlermodell im Massstab 1/43. Verkauf an Jugendliche unter 14 Jahren verboten. Schädlich bei Verschlucken. Tameo Kits lehnt jede Verantwortung bei unsachgemässer Benutzung des Produktes ab.

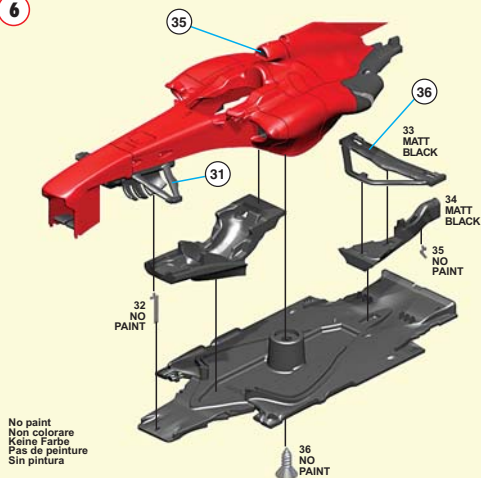
Hecho en Italia. Colección de modelos a escala 1/43. Prohibida la venta a menores de 14 años. No comestible. Mantener fuera del alcance e de los niños. Tameo Kits no se hace responsable de los daños causados por el uso incorrecto de este producto.



5



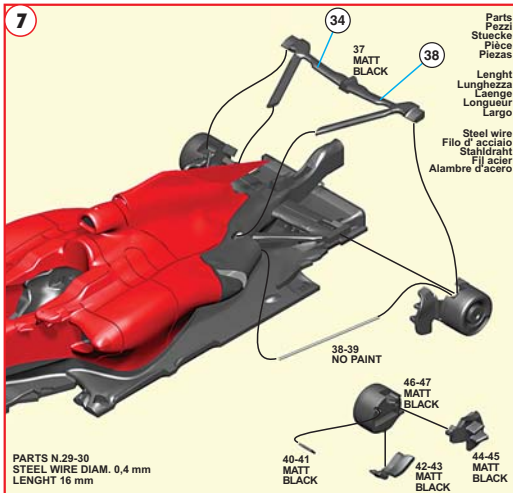
6



No paint  
Non colorare  
Keine Farbe  
Pas de peinture  
Sin pintura



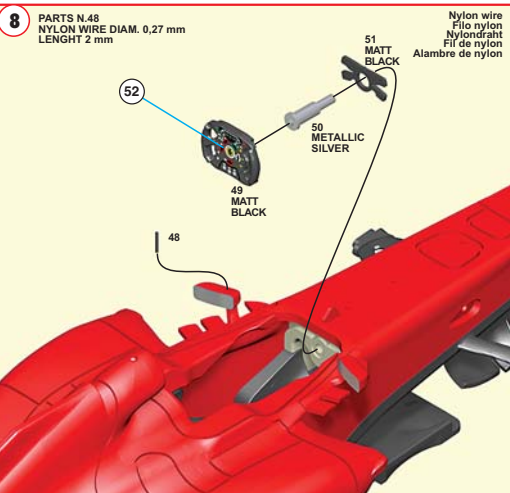
7



PARTS N.29-30  
STEEL WIRE DIAM. 0,4 mm  
LENGHT 16 mm

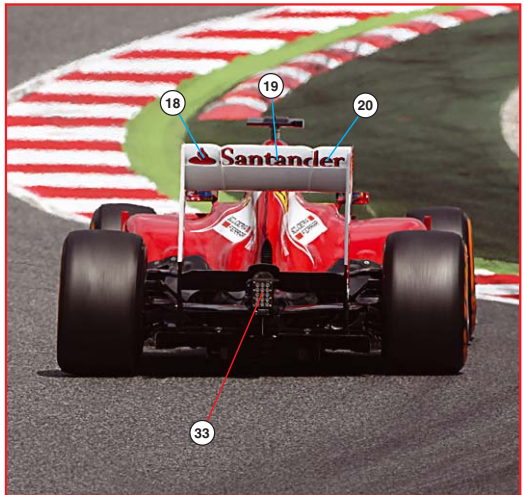
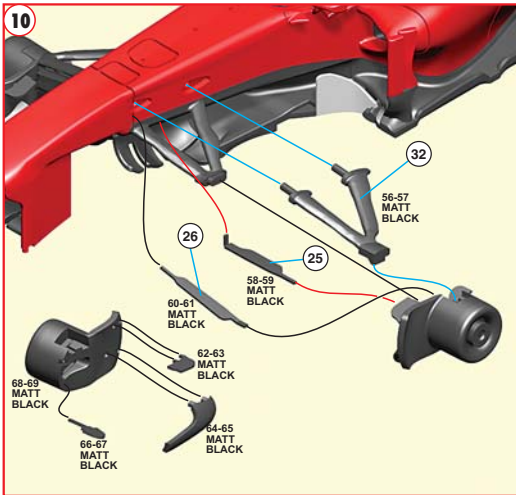
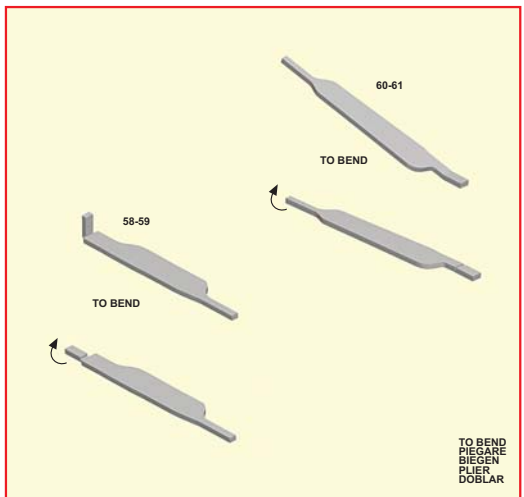
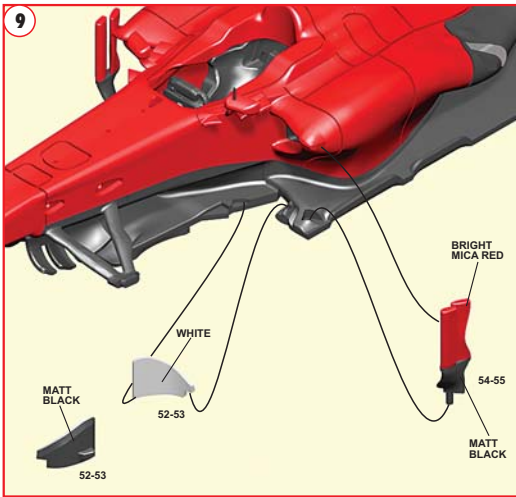
Parts  
Pezzi  
Stuecke  
Pièce  
Piezas  
Lenght  
Lunghzza  
Laengo  
Longueur  
Largo  
Steel wire  
Filo d'acciaio  
Stahldraht  
Fil acier  
Alambre d'acero

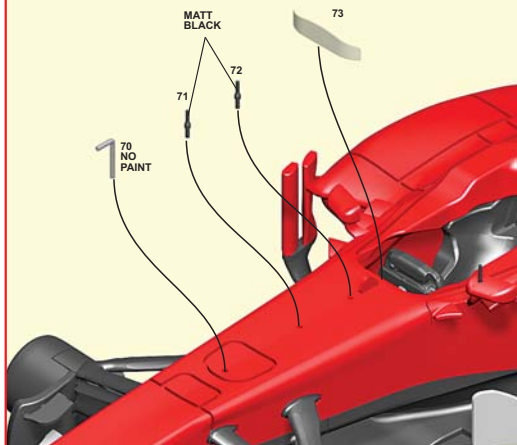
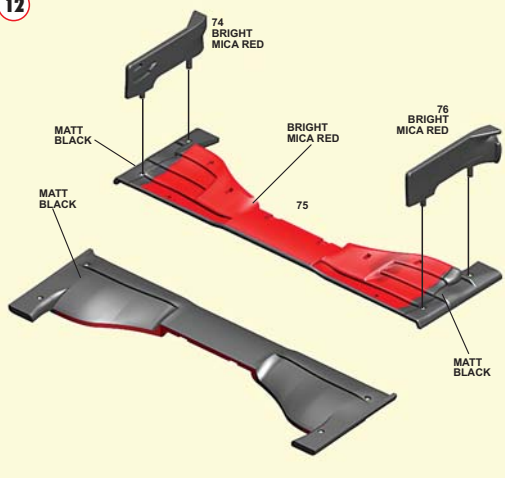
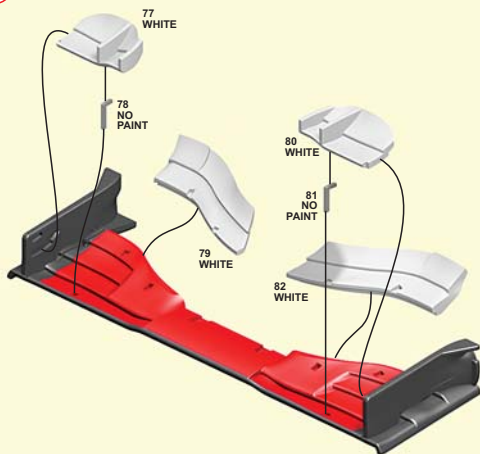
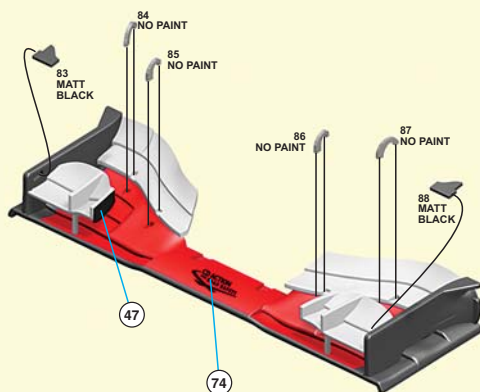
8

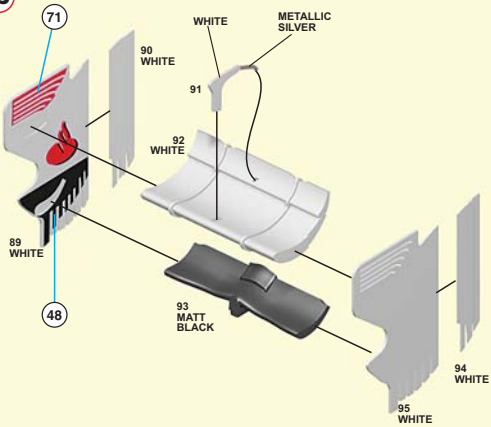
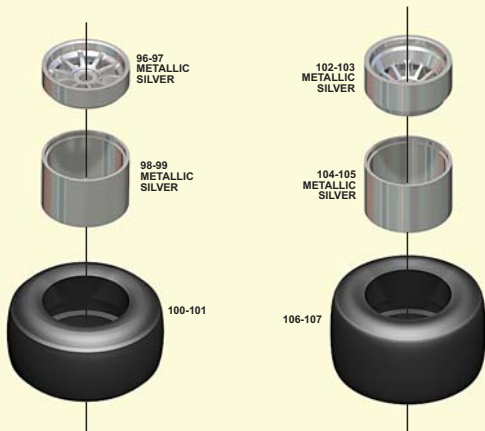
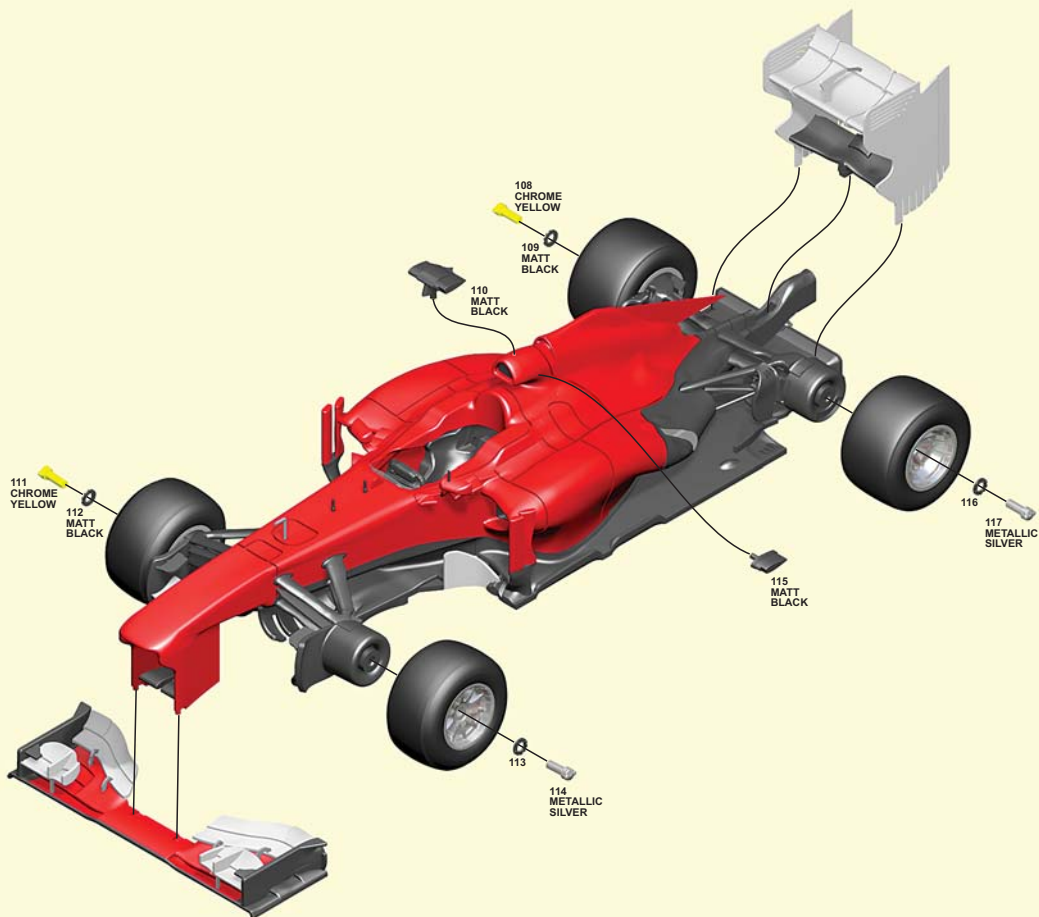


PARTS N.48  
NYLON WIRE DIAM. 0,27 mm  
LENGHT 2 mm

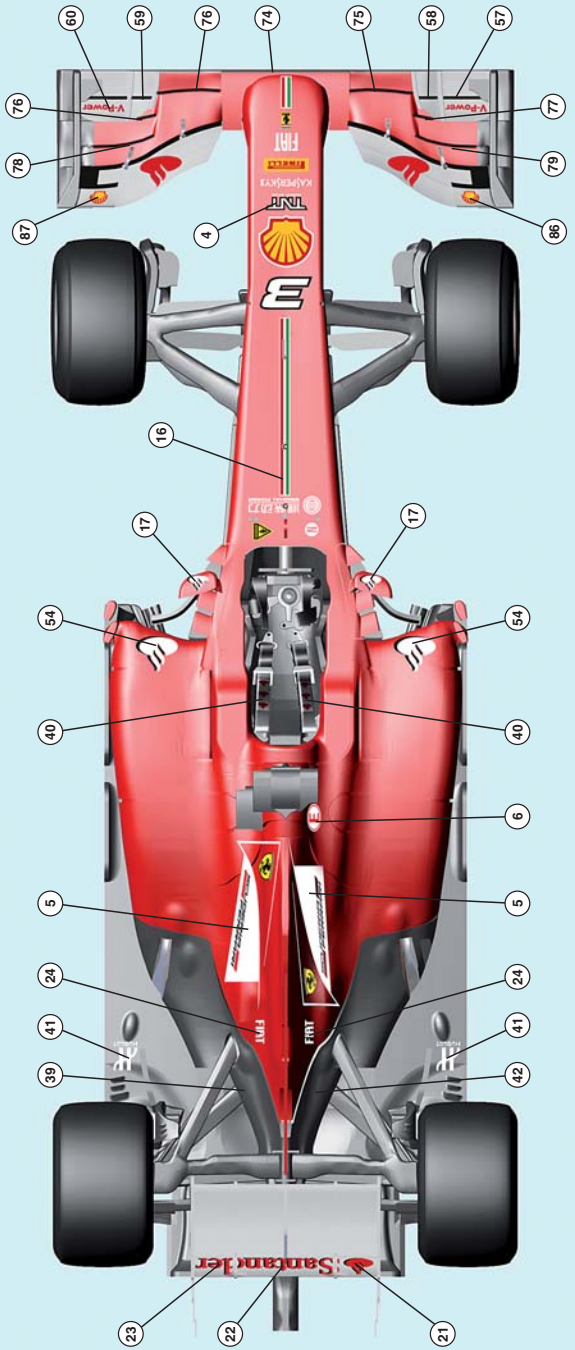
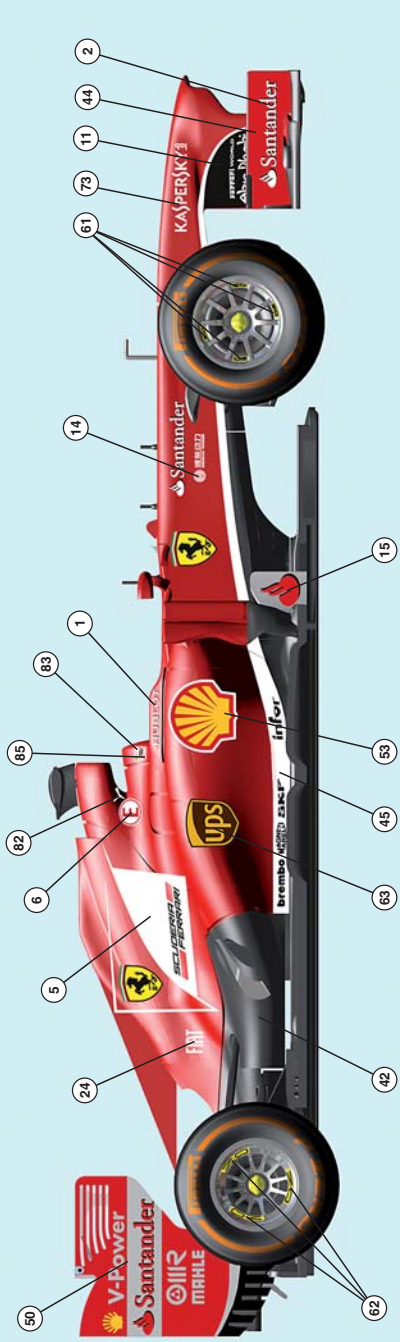
Nylon wire  
Filo nylon  
Nylondraht  
Fil de nylon  
Alambre de nylon



**11****12****13****14**

**15****16****17**

# TMK 417 FERRARI F138 G.P. SPAGNA 2013



3 - F. Alonso 1st



4 - F. Massa 3rd